



383 SERIES

EXPLOSION PROOF INCANDESCENT



Pendant Mount



Ceiling Mount



Bracket Mount

DESCRIPTION

The 383 Series is a fixture designed for Explosion-Proof and Hazardous environments. The cast aluminum housing is completed with a heat and impact resistant globe. This product handles incandescent sources up to 300 watts but is limited to 75 watts in paint spray booth applications and features a single thumb screw for easy re-lamping. This product has multiple listings from UL and is UL844 listed.

SPECIFICATIONS

GENERAL:	For general purpose industrial, paint spray booth applications, wet/damp locations, hazardous locations, marine locations.
LISTINGS:	Class I, Div. 1 and 2, Group C and D Incandescent Class II, Div. 1 and 2, Groups E, F and G Class III UL listed 844
FEATURES:	Explosion proof incandescent fixture for Hazardous locations Corrosion resistant
ELECTRICAL:	Easy relamping with single thumb screw.
HOUSING:	Cast aluminum construction with epoxy powder coat finish Heat and impact resistant prismatic glass globe with die cast guard.
REFLECTOR:	Optional dome or angle reflector. See next page.
MOUNTING:	Pendant, Ceiling or Bracket Comes standard with 4 hub.
APPLICATIONS:	Paint spray booth Wet/damp locations Marine locations General purpose industrial
OPTIONS:	See next page



250V AC MAX

- TASK ①
- PAINTBOOTH ②
- VAPOR DUST ③
- VAPOR ④
- WET DAMP ⑤
- MARINE ⑥
- EXPLOSION PROOF ⑦
- HID ⑧
- INSPECTION ⑨
- PORTABLE LIGHTING ⑩
- MOUNTING ⑪
- PHOTOMETRY ⑫
- LAMPS BALLASTS ⑬
- INFO ⑭
- CUSTOM ⑮
- ASK THE EXPERT ⑯

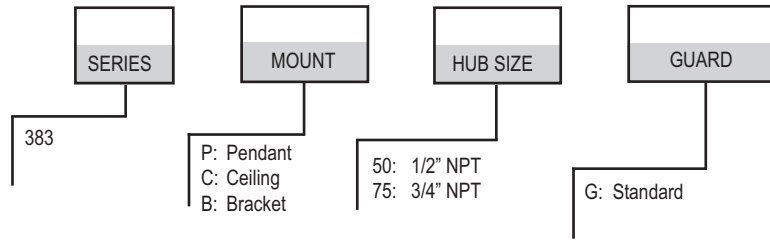


383 SERIES

EXPLOSION PROOF INCANDESCENT

PART NUMBERS

- ① TASK
- ② PAINTBOOTH
- ③ VAPOR DUST
- ④ VAPOR
- ⑤ WET DAMP
- ⑥ MARINE
- ⑦ EXPLOSION PROOF



NOTE:
 • Standard Color: Gray
 • Lamps available, consult factory for pricing



LISTINGS:

Maximum Wattage

Location Class,	Div.	Operating Groups	Without Temp. code	W/Std. Dome Reflector	W/30' Dome Reflector
I	1 & 2	C & D	T3C	300	300
	1 & 2	D	T4A	75	-
II	1 & 2	E & F	T3	200	150
	1 & 2	E, F & G	T3C	100	150
III	-	-	T3C	100	100



OPTIONS

- ⑧ HID
- ⑨ INSPECTION
- ⑩ PORTABLE LIGHTING
- ⑪ MOUNTING
- ⑫ PHOTOMETRY
- ⑬ LAMPS BALLASTS
- ⑭ INFO
- ⑮ CUSTOM
- ⑯ ASK THE EXPERT

Standard Dome Reflector
P/N 3918



Direct light down with a dome reflector. Highly reflective finish over heavy gauge aluminum base. Field installation with 4 screws. Does not fit EB bracket fixtures.

Angle Reflector
P/N 3919



Direct light down and to the side with a 30° angle reflector. Highly reflective white epoxy finish over heavy gauge aluminum base. Field installation with 4 screws.

EXB 4 Hole Box
P/N 3920



Explosion proof junction box for wiring or pendant fixture hanging. 4 NPT tapped hubs in sides. 3 close-up plugs provided. Blank 1/2" or 3/4" tapped covers.

EXB 8 Hole Box
P/N 3921



Explosion proof junction box for wiring or pendant fixture hanging. 6 tapped hubs in sides, two in bottom. 7 close-up plugs provided. Blank 1/2" or 3/4" tapped covers.

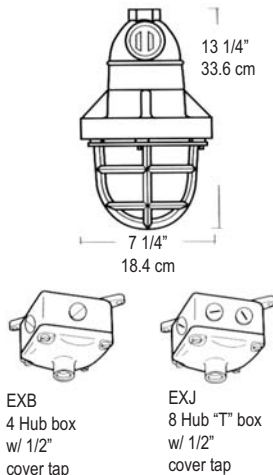
Exit Sign
P/N 3922



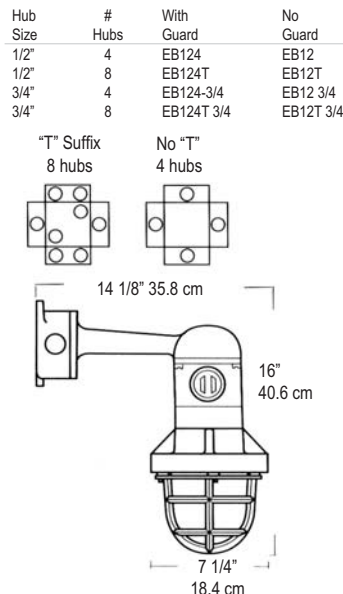
Optional Exit Sign fits over explosion proof light.

DIMENSIONS

383 Pendant Mount



383 Bracket /BoxMount



383 Ceiling Mount

