



# 260/261 SERIES

## VAPOR / DUST PROOF LIGHTING



Model 260



Model 261

TASK ①

PAINTBOOTH ②

VAPOR DUST ③

VAPOR ④

WET DAMP ⑤

MARINE ⑥

EXPLOSION PROOF ⑦

HID ⑧

INSPECTION ⑨

PORTABLE LIGHTING ⑩

MOUNTING ⑪

PHOTOMETRY ⑫

LAMPS BALLASTS ⑬

INFO ⑭

CUSTOM ⑮

ASK THE EXPERT ⑯

### DESCRIPTION

The 260/261 Series is a product designed specifically for Paint Spray Booths, with a wider fixture design these products will provide increased photometric output and efficiencies. These 4 lamp 4' fixtures are available in wattages including 32, 40, and 60 Watts. The 260 Series allows for both Front and Rear access using a paint spray cutoff switch when the front door frame is opened. The 261 Series is a rear access only fixture and does not require paint spray cutoff. Both units carry multiple listings from ETL for Class I Div. 2 & Class II Div. 2 applications. **Must be mounted hinge side up.**

### SPECIFICATIONS

**LISTINGS:** ETL listed for U.S. and Canada  
Class I Division 2 Groups A,B,C,D  
T3C (160 degree C) Operating Code  
Class II Division 2 Groups F,G  
T3C (160 degree C) Operating Code  
Listed for locations having deposits of readily combustible paint residues.



**HOUSING:** 20 Gauge steel construction with white baked enamel finish which creates a durable, highly reflective finish. Housing styles for either front and rear accessibility in the Series 260, or rear access only in the Series 261.

**LENS:** 3/16" Clear tempered glass.

**ELECTRICAL:** Paint spray cutoff switch for the front door frame access of the Series 260. Available in 32, 40, and 60 Watts in T8, T12, & T12HO lamps. Voltages of 120, 277, & 347 Volts.

**OPTIONS:** **All Options Ordered Separately**  
EM: Emergency Battery Backup Ballast  
120 or 277V **MUST SPECIFY**  
Wire Whip 8 Ft. - 5901: 3-wire (261) or 5902: 5-wire (260)

• **MOUNTING KITS - Ordered Separately** - See Page 11.4  
Panel Stiffner Kit #1704 (fits 18 gauge panels only)

**NOTE:** Normally open magnetic switches are intended to be used to trigger a relay (furnished by others) which disables the paint system. Because of the small capacity of the switch a solid state relay is recommended. It may be desired by others to utilize a separate power supply to segregate the relay (furnished by others) from the lighting power supply. The Magnetic Switch **IS NOT** designed to directly control light operation!  
**The Magnetic Switch is rated for 10 watts resistive at a maximum of 300 VAC.**

**CAUTION:** Overloading the switch circuits **WILL** cause failure. LDPI, Inc. recommends having a certified electrician/engineer review loads to ensure that overloading of switch does not occur.



Interlock Microswitch  
Model 260



# 260/261 SERIES

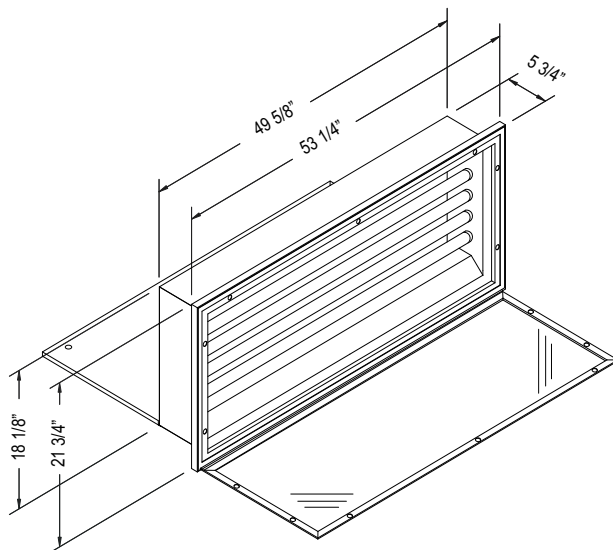
## VAPOR / DUST PROOF LIGHTING

### PART NUMBERS

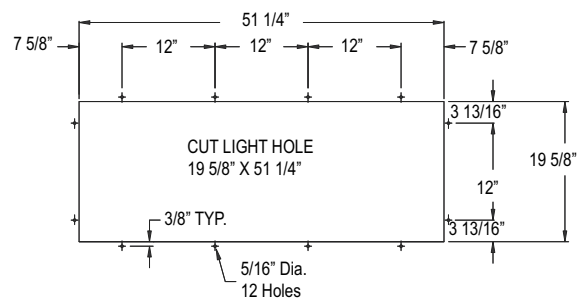
| TASK            | Series                        | Watt      | Lamp Qty | Hub      | Order #        | Voltage               |
|-----------------|-------------------------------|-----------|----------|----------|----------------|-----------------------|
| PAINTBOOTH      | 390260<br>Front & Rear Access | 32W T8    | 4        | 1/2" NPT | 390260 3546    | 120-277 Volts 50/60HZ |
|                 |                               |           | 4        | 1/2" NPT | 390260347 3125 | 347 Volts 60HZ        |
| VAPOR DUST      |                               | 32W T8HLO | 4        | 1/2" NPT | 390260120 1744 | 120 Volts 60HZ        |
|                 |                               |           | 4        | 1/2" NPT | 390260277 1766 | 277 Volts 60HZ        |
| VAPOR           |                               | 40W T12   | 4        | 1/2" NPT | 390260120 1748 | 120 Volts 60HZ        |
|                 |                               |           | 4        | 1/2" NPT | 390260277 1712 | 277 Volts 60HZ        |
| WET DAMP        |                               | 60W T12HO | 4        | 1/2" NPT | 390260120 3260 | 120 Volts 60HZ        |
|                 |                               |           | 4        | 1/2" NPT | 390260277 3222 | 277 Volts 60HZ        |
| MARINE          | 390261<br>Rear Access Only    | 32W T8    | 4        | 1/2" NPT | 390261 3546    | 120-277 Volts 50/60HZ |
|                 |                               |           | 4        | 1/2" NPT | 390261347 3125 | 347 Volts 60HZ        |
| EXPLOSION PROOF |                               | 32W T8HLO | 4        | 1/2" NPT | 390261120 1744 | 120 Volts 60HZ        |
|                 |                               |           | 4        | 1/2" NPT | 390261277 1766 | 277 Volts 60HZ        |
| HID             |                               | 40W T12   | 4        | 1/2" NPT | 390261120 1748 | 120 Volts 60HZ        |
|                 |                               |           | 4        | 1/2" NPT | 390261277 1712 | 277 Volts 60HZ        |
| INSPECTION      |                               | 60W T12HO | 4        | 1/2" NPT | 390261120 3260 | 120 Volts 60HZ        |
|                 |                               |           | 4        | 1/2" NPT | 390261277 3222 | 277 Volts 60HZ        |

LAMPS SOLD SEPARATELY  
(All Options Ordered Separately)

### DIMENSIONS



Rear Access Panel  
Models 260 & 261





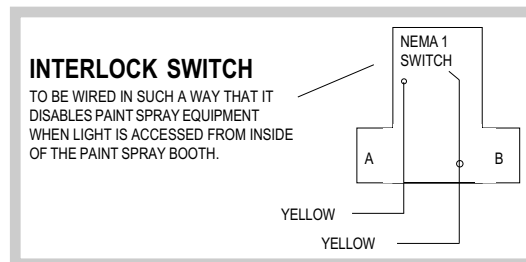
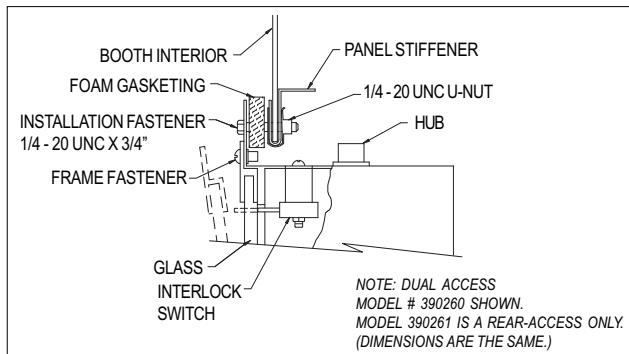
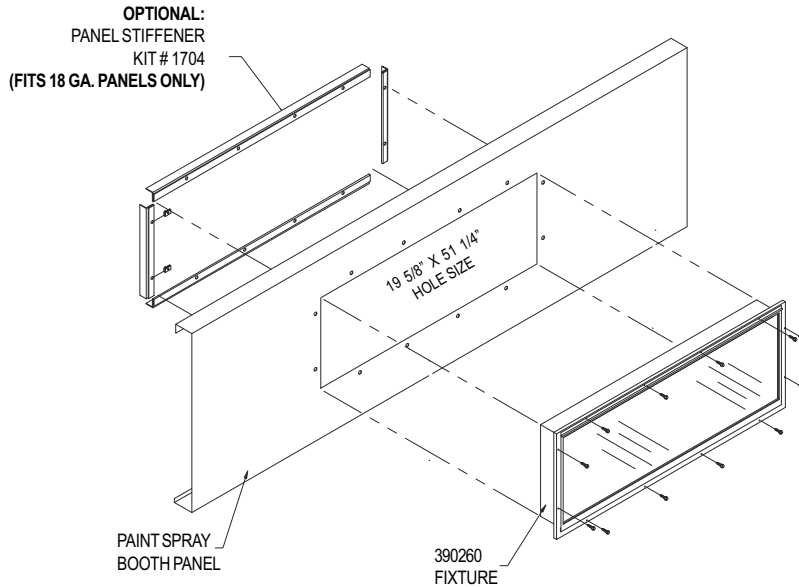
# MOUNTING

FOR LDPI, INC. FIXTURES

## 260/261 Series

- ① TASK
- ② PAINTBOOTH
- ③ VAPOR DUST
- ④ VAPOR
- ⑤ WET DAMP
- ⑥ MARINE
- ⑦ EXPLOSION PROOF
- ⑧ HID
- ⑨ INSPECTION
- ⑩ PORTABLE LIGHTING
- ⑪ MOUNTING
- ⑫ PHOTOMETRY
- ⑬ LAMPS BALLASTS
- ⑭ INFO
- ⑮ CUSTOM
- ⑯ ASK THE EXPERT

### PN: 1704 Panel Stiffener and Interlock Switch



**IMPORTANT:** Normally open magnetic switches are intended to be used to trigger a relay (furnished by others) which disables the paint system. Because of the small capacity of the switch, a solid state relay is recommended. It may be desired by others to utilize a separate power supply to segregate the relay (furnished by others) from lighting power supply. **The magnetic switch is rated for 10 watts (resistive) at a maximum of 300 VAC.**

The magnetic switch is **NOT** designed to directly control light operation.

**CAUTION:** Overloading the switch circuits will cause failure. LDPI® recommends having a certified electrician/engineer review circuit loads to insure that overloading of switch does not occur.

