

**NEW**  
**AA1500 WITH...**  
**Adjustable Spray Pattern**  
**and Enhanced Atomization**

**BINKS®**  
A54-67R-3 4/07



# **AA1500™ Air Assisted Airless Spray Gun with NEW AA-10 Air Cap**

***Adjustable Spray Pattern  
and Enhanced Atomization***

*Higher transfer efficiency for today's highest quality finishing.*

# AA1500™ Air Assisted Airless Spray Gun

ADJUSTABLE SPRAY PATTERN

ENHANCED ATOMIZATION

Refer to Service Bulletin:  
77-2838

## What's New From Binks...

### Primary Use:

The Binks AA1500™ Air Assisted Spray Gun with New AA-10 Air Cap improves fan pattern adjustment for hard-to-reach areas, and reduces build-up of acid catalyzed coatings. These features are particularly beneficial in the wood finishing industries, such as cabinet shops and furniture manufacturers, where recessed and hard-to-reach spaces require special attention to attain an even and thorough finish.

### Features:

- Fan pattern adjustment from 100% to approximately 60%
- **New** AA-10 Air Caps can be used with new and old model AA-1500 spray guns\*
- Newly-designed side port control
- Simple design with only 20 replaceable parts
- Ergonomic design
  - light weight
  - light trigger pull tension
- Variety of fluid tip sizes

### Advantages:

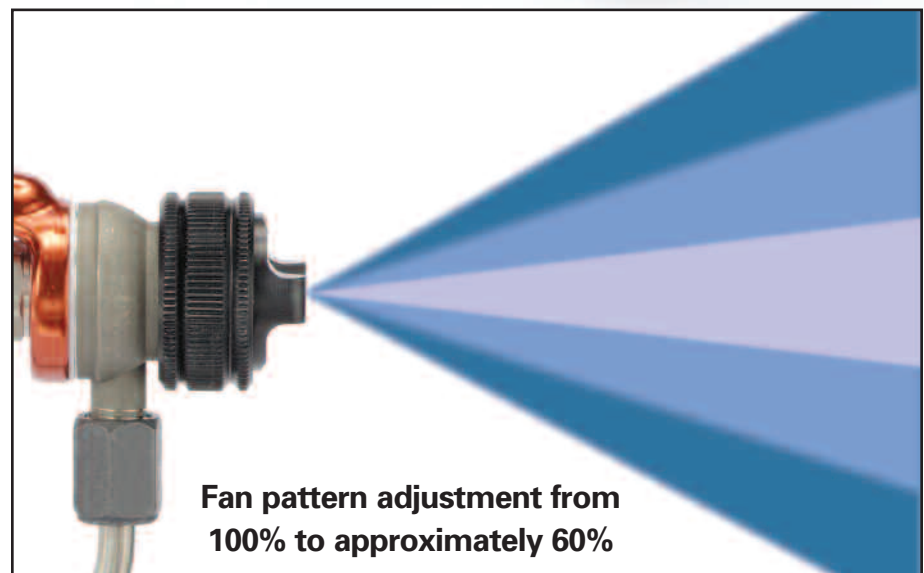
- Improved atomization of water and solvent based materials
- AA-10 Air Cap and side port adaptable to older model AA-1500 spray guns\*
- Low air consumption
- Reduced buildup of acid catalyzed coatings on air cap face and carbide tip
- Better coverage of hard-to-reach areas
- Better balance between atomizing and fan air
- No special tools needed for repairs
- Low replacement costs on main wear parts
- Reduced operator fatigue
- Easy cleanup
- Increased production rates
- A softer spray pattern
- Less bounceback
- Less overspray contaminating other parts
- Component cartridge design for quick and easy repairs
- Improves finish quality

### Benefits:

- Maximized production output
- Minimized maintenance and downtime
- Long-life parts
- Maximized operator comfort
- Coating savings

### Binks AA-10 Air Cap

5 psi – 60 psi gun inlet air pressure operating range for stains and medium viscosity coatings



Fan pattern adjustment from  
100% to approximately 60%

\*Using 54-5302 Conversion Kit

# AA1500™ Air Assisted Airless Spray Gun

ADJUSTABLE SPRAY PATTERN      ENHANCED ATOMIZATION

## Binks AA1500 Air Assisted Spray Gun

Part Number: 1500-0000-10

**Maximum fluid pressure:** 1500 psi/105 bar

**Maximum air pressure:** 100 psi/6.8 bar

**Gun Body:** Forged Aluminum

**Fluid Path:** Stainless Steel

**Fluid Shut Off Type:** Stainless Steel Ball

**Seat:** Standard UHMW/  
Optional Tungsten Carbide

**Fluid Inlet Size:** 1/4" NPS (m) Thread

**Air Inlet Size:** 1/8" NPT (m) x 3/8" O.D.  
Push-in Tube Fitting or D.M. Nipple

**Gun Weight:** 16 oz/500 g

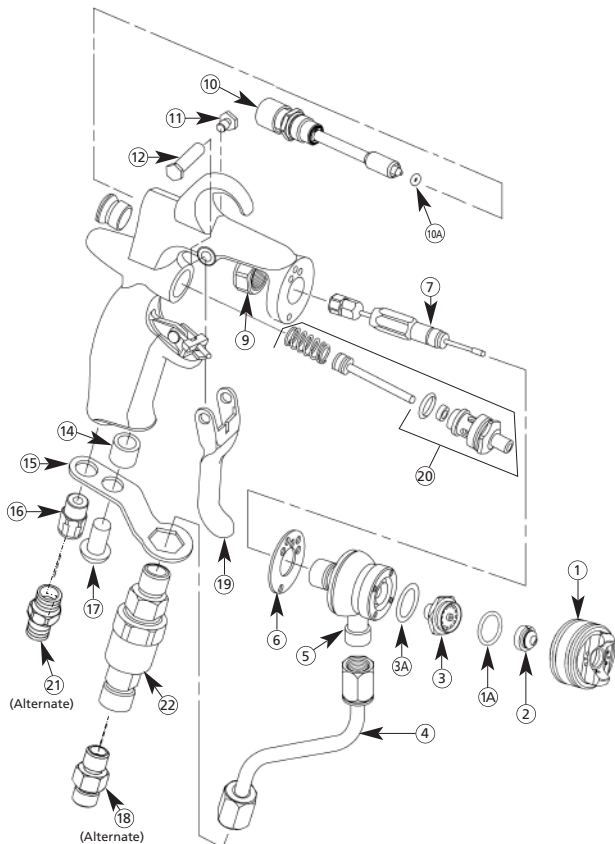
**Part Sheet:** 77-2838

### ■ Spray Tip Selection Charts

PART #	SIZE	FAN WIDTH	PART #	SIZE	FAN WIDTH	PART #	SIZE	FAN WIDTH
113-00702	.007	1" - 2"	114-01506	.015	4" - 6"	113-02110	.021	8" - 10"
113-00704	.007	2" - 4"	114-01508	.015	6" - 8"	113-02112	.021	10" - 12"
113-00706	.007	4" - 6"	114-01510	.015	8" - 10"	113-02114	.021	12" - 14"
113-00708	.007	6" - 8"	114-01512	.015	10" - 12"	113-02116	.021	14" - 16"
113-00902	.009	1" - 2"	114-01514	.015	12" - 14"	113-02118	.021	16" - 18"
113-00904	.009	2" - 4"	114-01516	.015	14" - 16"	113-02410	.024	8" - 10"
113-00906	.009	4" - 6"	114-01518	.015	16" - 18"	113-02412	.024	10" - 12"
113-00908	.009	6" - 8"	114-01706	.017	4" - 6"	113-02414	.024	12" - 14"
113-00910	.009	8" - 10"	114-01708	.017	6" - 8"	113-02416	.024	14" - 16"
113-00912	.009	10" - 12"	114-01710	.017	8" - 10"	113-02418	.024	16" - 18"
113-01104	.011	2" - 4"	114-01712	.017	10" - 12"	113-02710	.027	8" - 10"
113-01106	.011	4" - 6"	114-01714	.017	12" - 14"	113-02712	.027	10" - 12"
113-01108	.011	6" - 8"	114-01716	.017	14" - 16"	113-02714	.027	12" - 14"
113-01110	.011	8" - 10"	114-01718	.017	16" - 18"	113-02716	.027	14" - 16"
113-01112	.011	10" - 12"	113-01906	.019	4" - 6"	113-02718	.027	16" - 18"
113-01114	.011	12" - 14"	113-01908	.019	6" - 8"			
114-01304	.013	2" - 4"	113-01910	.019	8" - 10"			
114-01306	.013	4" - 6"	113-01912	.019	10" - 12"			
114-01308	.013	6" - 8"	113-01914	.019	12" - 14"			
114-01310	.013	8" - 10"	113-01916	.019	14" - 16"			
114-01312	.013	10" - 12"	113-01918	.019	16" - 18"			
114-01314	.013	12" - 14"						
114-01316	.013	14" - 16"						

◆ Based on 1000 PSI with water. Actual results may vary, depending on material viscosity.

## AA1500™ Air Assisted Airless Spray Gun w/Adjustable Spray Pattern (AA-10 Air Cap)



### Parts List

When ordering, please specify Part No.

ITEM NO.	PART NO.	DESCRIPTION	QTY.
1	54-5346▼	AA-10 Air Cap Assembly.....	1
1A	20-6784◆	Fluoroelastomer Seal (2-015).....	1
2	113-0XXXX	Carbide Tip Assembly (See Tip Selection Chart).....	1
	or 114-0XXXX		
3	54-4926*▼	Fluid Seat (UHMW Standard or Optional Carbide Fluid Seat 54-4960).....	1
3A	20-6037■	O-Ring (Part of 54-4926).....	1
4	54-4906	Fluid Tube Assembly.....	1
5	54-4924	Gun Head.....	1
6	54-4923*	Front Head Gasket.....	1
7	54-4908*	Needle Packing Cartridge..... (1,500 PSI maximum)	1
9	54-4925	Fluid Inlet Nut.....	1
10	54-5328	SIDE PORT Control Ass'y (AA-10).....	1
10A	20-6785⊕	FLUOROELASTOMER SEAL (2-004).....	1
11	54-4939	Trigger Screw.....	1
12	54-4938	Trigger stud.....	1
14	54-4947	Fluid Tube Bracket Spacer.....	1
15	54-4943	Fluid Tube Bracket.....	1
16	54-4975	Push In Tube Fitting..... 1/8" NPT(m) x 3/8" O.D.	1
17	20-6718	Button head cap Screw.....	1
18	54-4944●	Fluid Inlet Fitting.....	1
19	54-4937	Trigger.....	1
20	54-4909*	Air Valve Assembly.....	1
21	71-28▲	D.M. Nipple..... 1/8" NPT(m) x 1/4" NPS(m)	1
22	54-4725	FILTER Assembly (100 Mesh).....	1

▼ Also available as part of AA-10 Conversion Kit 54-5302 (for converting AA1500 spray guns w/AA-2 or AA-4 air caps to AA1500 spray guns with AA-10 air caps).

◆ Also available: 20-6784 (minimum order 2).

\* Available as part of Repair Kit 54-4970.

■ Also available: 20-6037-K10 (Kit of 10 o-rings).

⊕ Also available: 20-6785 (minimum order 2).

● Alternate fluid inlet fitting (18)—order separately.

▲ Alternate D.M. nipple (21) is included in gun package.

**Hoses**

PART #	DESCRIPTION
71-4990	15' Poly Air Tubing 3/8" O.D., 1/4" I.D. w/Fittings
71-4991	25' Poly Air Tubing 3/8" O.D., 1/4" I.D. w/Fittings
71-4992	15' 1/8" High Pressure Fluid Hose Assembly
71-4993	25' 1/8" High Pressure Fluid Hose Assembly
71-4995	25' 3/16" High Pressure Fluid Hose Assembly

**Fittings**

PART #	DESCRIPTION
54-4975	1/8" NPT(m) x 3/8" O.D. Push-In Tube Fitting, std.
71-28	D.M. Nipple 1/8" NPT(m) x 1/4" NPS(m), alternate Alternate D.M. Nipple (22) is included in gun package.

**Fluid Seat**

PART #	DESCRIPTION
54-4926	Standard UHMW Fluid Seat
54-4960	Optional Tungsten Carbide Fluid Seat

**Fluid Filter**

PART #	DESCRIPTION
54-3655	100 Mesh (Element) Gun Mounted Filter, 5800 PSI working pressure
54-4725	100 Mesh (Element) Gun Mounted Filter, 4000 PSI working pressure
54-5010	100 Mesh (Screen) Gun Mounted Filter, 4000 PSI working pressure

**Replacement Filter**

PART #	DESCRIPTION
54-1835	Replacement Filter for Fluid Filters 54-3655 and 54-4725
54-5012-K10	Replacement Filter for Fluid Filter 54-5010

**Fluid Regulator**

PART #	DESCRIPTION
845001	Med. Pressure, Regulator with Gauge, 6 gpm 100 to 800 regular range
845010	Med. Pressure, Regulator without Gauge, 3 gpm 400 to 1250 regular range

**AA-10 Conversion Kit 54-5302**

Kit for converting AA1500 guns with AA-2 or AA-4 air cap to AA1500 gun with AA-10 air cap.

**Repair & Cleaning Kits**

PART #	DESCRIPTION
54-4970	Replacement Parts Kit: includes fluid seat, O-ring, front head gasket, needle/packing cartridge, fluid inlet nut, and air valve assembly
54-4994	Cleaning Kit: includes one standard stiff nylon pipe cleaning brush, full-size nylon brush, tip cleaner, and Binks Gunners Mate Lubricant

**HVLP Test Gauges**

PART #	DESCRIPTION
54-4997	HVLP Test Gauge AA-2
54-5022	HVLP Test Gauge AA-4
54-5327	HVLP Test Gauge AA-10

**Air Caps**

PART #	DESCRIPTION
AA-2 - 54-4980	Thin to Medium Materials
AA-4 - 54-4978	Medium to Heavy Materials
AA-10 - 54-5346	Thin to Heavy Materials

**How to Order the AA1500 Spray Gun**

To order a AA1500 Spray Gun less tip, order part number 1500 - 0000 - 2 AA1500 Gun with AA-2 Air Cap  
 1500 - 0000 - 4 AA1500 Gun with AA-4 Air Cap  
 1500 - 0000 - 10 AA1500 Gun with AA-10 Air Cap  
 For spray tips, order by part number 113 - 0XXXX or 114-0XXXX

See spray tip selection chart for orifice size and fan size required

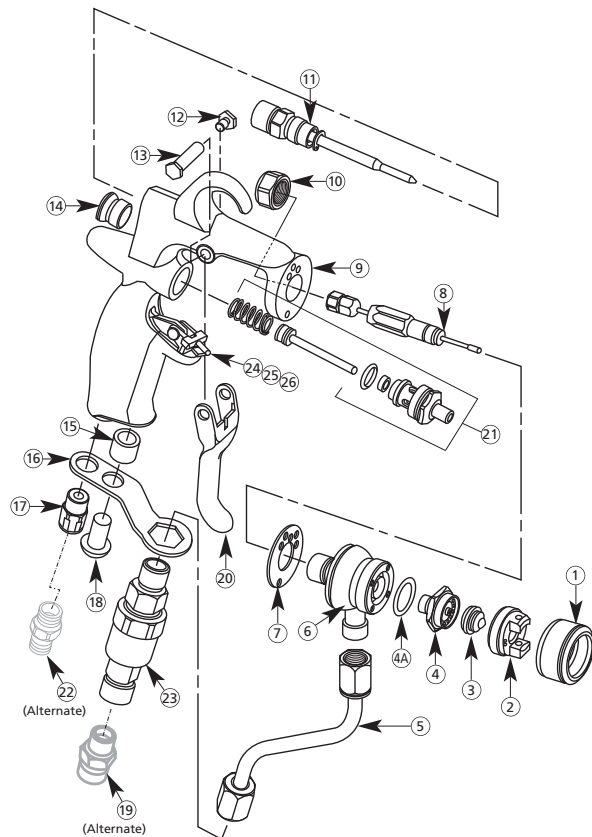
**Airless Spray Tip - Fluid Flow Rate\***

ORIFICE SIZE (INCHES)	500 PSI OZ./MIN.	1000 PSI OZ./MIN.	1500 PSI OZ./MIN.
VERY THIN - Wash Primers, Dyes, Stains, Solvents			
.009	5.1	7.1	8.2
THIN - Sealers, Lacquers, Primers, Ink, Zinc Chromate			
.015	16.5	23.3	27.8
MEDIUM - Lacquers, Synthetics, Enamels, Varnishes			
.021	32.8	45.8	56.8
.024	39.7	56.1	68.7
.027	50.4	71.2	87.2

Flow rate of fluid materials through spray tip, oz./min.  
 \*Based on water. Actual results may vary, depending on material viscosity.

Refer to Service Bulletin: 77-2767

**AA1500™ Air Assisted Airless Spray Gun with AA-2 or AA-4 Air Cap**



**Parts List (AA-2 or AA-4 only)**

When ordering, please specify Part No.

ITEM NO.	PART NO.	DESCRIPTION	QTY.
1	54-4955	Air Cap Retaining Ring	1
2	54-4980	Air Cap AA-2 (Standard)	1
	54-4978	Air Cap AA-4 (Optional)	1
3	113-0XXXX or 114-0XXXX	Carbide Tip Assembly (See Tip Selection Chart)	1
4	54-4926	Fluid Seat (UHMW Standard or Optional Carbide Fluid Seat 54-4960)	1
4A	20-6037	O-Ring	1
5	54-4906	Fluid Tube Assembly	1
6	54-4924	Gun Head	1
7	54-4923	Front Head Gasket	1
8	54-4908	Needle Packing Cartridge (1,500 PSI maximum)	1
10	54-4925	Fluid Inlet Nut	1
11	54-4977	Fan Control Assembly	1
12	54-4939	Trigger Screw	1
13	54-4938	Trigger Stud	1
15	54-4947	Fluid Tube Bracket Spacer	1
16	54-4943	Fluid Tube Bracket	1
17	54-4975	Push In Tube Fitting 1/8" NPT(m) x 3/8" O.D.	1
18	20-6718	Button Head Cap Screw	1
19	54-4944	Fluid Inlet Fitting	1
20	54-4937	Trigger	1
21	54-4909	Air Valve Assembly	1
22	71-28	D.M. Nipple 1/8" NPT(m) x 1/4" NPS(m)	1
23	54-4725	Filter Assembly (100 mesh)	1
24	54-4910	Lock	1
25	54-4911	Pin	1
26	54-4912	Spring	1

- ✦ Also available: 20-6750-K10 (Kit of 10 O-rings for AA Air Cap).
- Available as part of Repair Kit 54-4970.
- ✦ Also available: 20-6037-K10 (Kit of 10 O-rings).
- Alternate Fluid Inlet Fitting (19) — order separately.
- ▲ Alternate D.M. Nipple (22) is included in gun package.