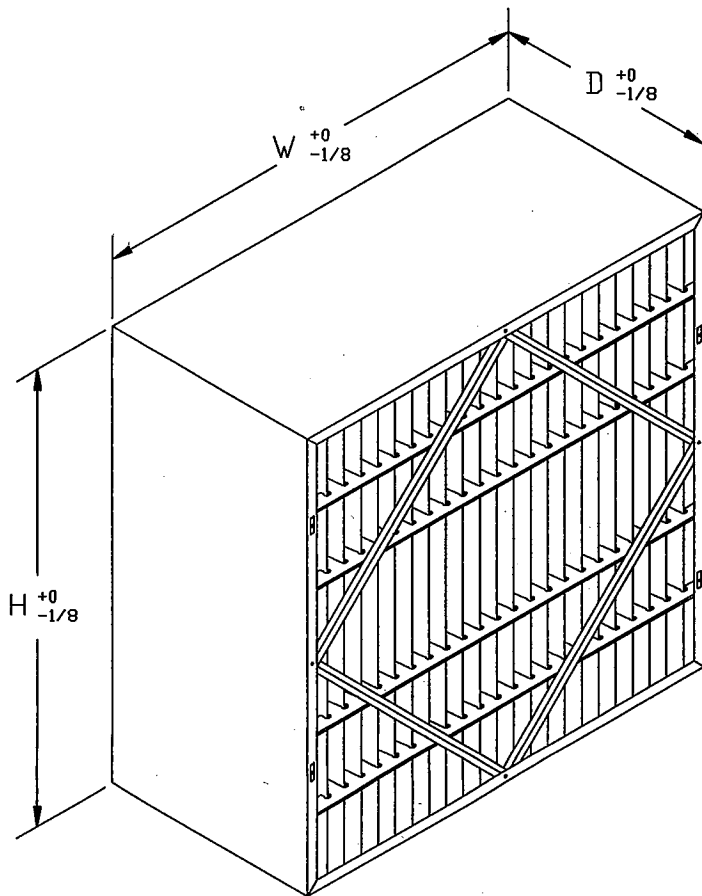


Model Number	Nominal Size (Inches) W x H x D	Actual Size (Inches) W x H x D	Rated Air Flow (CFM)	Initial Resistance (IN W.G.)	Media Weight (LBS)
VKP-05	24 x 24 x 12	23-3/8 x 23-3/8 x 11-1/2	2000	.40	9.0
VKP-11	20 x 24 x 12	19-3/8 x 23-3/8 x 11-1/2	1650	.40	7.5
VKP-03	20 x 20 x 12	19-3/8 x 19-3/8 x 11-1/2	1400	.40	6.3
VKP-10	12 x 24 x 12	11-3/8 x 23-3/8 x 11-1/2	1000	.40	4.5




STANDARD CONSTRUCTION

1. Granular Activated Carbon - 90% Activity Carbon Tetrachloride
600 Grams / Square Meter Carbon Media Weight
General Purpose Applications
2. Synthetic Media Laminate on Air-Entering and Air-Leaving Sides
No Carbon Dusting
3. 24 GA Galvanized Steel Construction
4. Plastic Finger Pleat Separators
5. Foam Melt Pack Sealant
6. (4) Retainer Holes for Spring Latches, Both Sides

NOTES

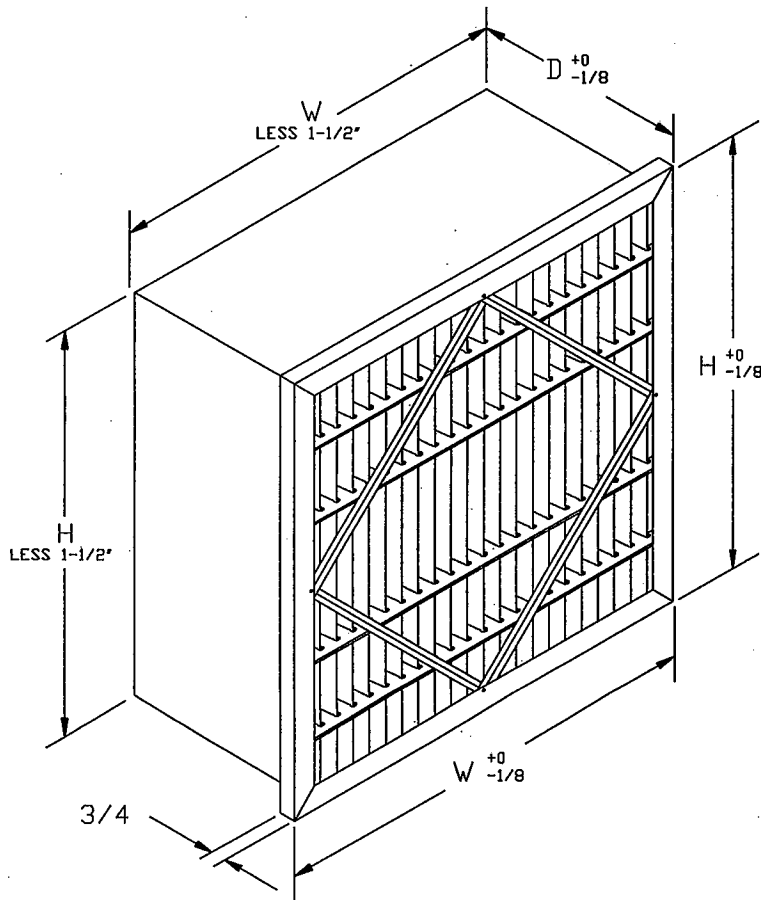
1. Rated Velocity - 500 FPM
2. Impregnated Media Options Available
 - A: Amine/Bases Chemisorption (Ammonia)
(Model Example VKP-A-05)
 - AG: Acid Gas Chemisorption
(Model Example VKP-AG-05)
 - F: Formaldehyde / Multipurpose Chemisorption
(Model Example VKP-F-05)
3. Optional Gasket Available
 - D: Downstream Side
(Model Example VKP-05-D)

	ONE SOURCE FOR AIR FILTRATION PRODUCTS	P.O. Box 32578 Louisville, KY 40232 P: 502-969-2304 F: 502-961-0930
	CONTACT FACTORY TO VERIFY REVISION LEVEL	

TOLERANCES UNLESS OTHERWISE SPECIFIED		
FRACTIONAL		
DECIMAL		
ANGLES		
ALL DIMENSIONS IN INCHES		

DRAWING NAME			
VARI-KLEAN PREMIUM			
APPROVED BY	SPECIFICATION NO.	PAGE	
<i>H. O. ...</i>	MKT-B-00510	1 OF 1	
SCALE	DWG. SIZE	REVISION	REVISION DATE
NONE	A	NEW	09-14-06
<small>CONFIDENTIAL - DO NOT COPY. THIS MATERIAL IS TRADE SECRET AND PROPRIETARY BEING EXCLUSIVELY OWNED BY AIRGUARD. THE EXPRESSION OF THE INFORMATION CONTAINED HEREIN IS PROTECTED UNDER FEDERAL COPYRIGHT LAWS AND ALL COPYING IS PROHIBITED AND MAY BE SUBJECT TO CRIMINAL PENALTIES.</small>			

Model Number	Nominal Size (Inches) W x H x D	Actual Size (Inches) W x H x D	Rated Air Flow (CFM)	Initial Resistance (IN W.G.)	Media Weight (LBS)
VKP-05-PH	24 x 24 x 12	23-3/8 x 23-3/8 x 11-1/2	2000	.50	8.0
VKP-11-PH	20 x 24 x 12	19-3/8 x 23-3/8 x 11-1/2	1650	.50	6.7
VKP-03-PH	20 x 20 x 12	19-3/8 x 19-3/8 x 11-1/2	1400	.50	5.6
VKP-10-PH	12 x 24 x 12	11-3/8 x 23-3/8 x 11-1/2	1000	.50	4.0



STANDARD CONSTRUCTION

- Granular Activated Carbon - 90% Activity Carbon Tetrachloride
600 Grams / Square Meter Carbon Media Weight
General Purpose Applications
- Synthetic Media Laminate on Air-Entering and Air-Leaving Sides
No Carbon Dusting
- 24 GA Galvanized Steel Construction
- Single Header Upstream Side
- Plastic Finger Pleat Separators
- Foam Melt Pack Sealant

NOTES

- Rated Velocity - 500 FPM
- Impregnated Media Options Available
 - A: Amine/Bases Chemisorption (Ammonia)
(Model Example VKP-A-05-PH)
 - AG: Acid Gas Chemisorption
(Model Example VKP-AG-05-PH)
 - F: Formaldehyde / Multipurpose Chemisorption
(Model Example VKP-F-05-PH)
- Optional Gasket Available
 - D: Downstream Side
(Model Example VKP-05-PH-D)
 - SA: Side Access
(Model Example VKP-05-PH-SA)

AIRGUARD ONE SOURCE FOR AIR FILTRATION PRODUCTS
P.O. Box 32578
Louisville, KY 40232
P: 502-969-2304
F: 502-961-0930

CONTACT FACTORY TO
VERIFY REVISION LEVEL

TOLERANCES
UNLESS OTHERWISE SPECIFIED

FRACTIONAL
DECIMAL
ANGLES

ALL DIMENSIONS IN INCHES

DRAWING NAME

VARI-KLEAN PREMIUM PH

APPROVED BY <i>R. O. Owen</i>	SPECIFICATION NO. MKT-B-00512	PAGE 1 OF 1
SCALE NONE	DWG. SIZE A	REVISION DATE NEW 09-14-06

CONFIDENTIAL - DO NOT COPY. THIS MATERIAL IS TRADE SECRET AND PROPRIETARY BEING EXCLUSIVELY OWNED BY AIRGUARD. THE EXPRESSION OF THE INFORMATION CONTAINED HEREIN IS PROTECTED UNDER FEDERAL COPYRIGHT LAWS AND ALL COPYING IS PROHIBITED AND MAY BE SUBJECT TO CRIMINAL PENALTIES.