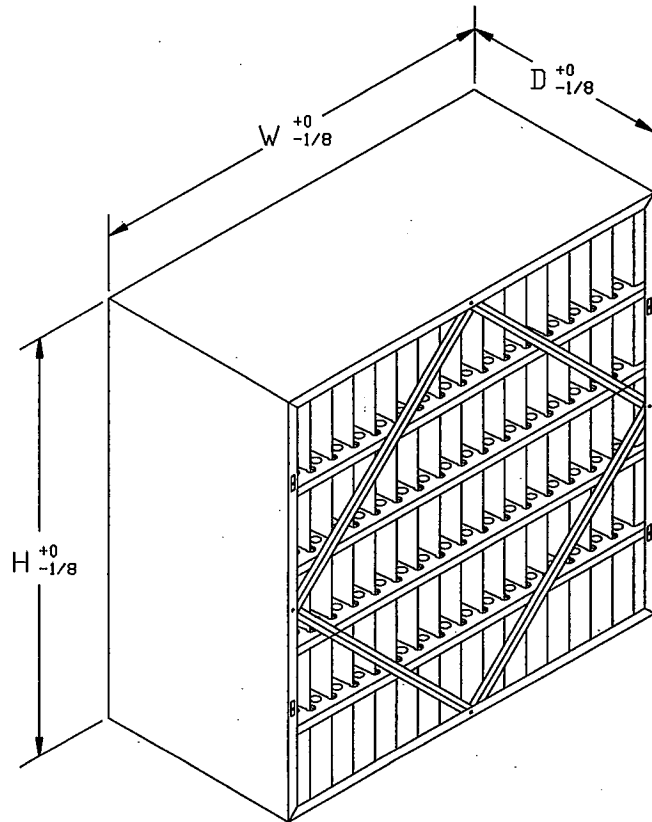


Model Number	Nominal Size (Inches) W x H x D	Actual Size (Inches) W x H x D	Rated Air Flow (CFM)	Initial Resistance (IN W.G.)	Media Weight (LBS)
VK-05	24 x 24 x 12	23-3/8 x 23-3/8 x 11-1/2	2000	.30	7.0
VK-11	20 x 24 x 12	19-3/8 x 23-3/8 x 11-1/2	1650	.30	6.0
VK-03	20 x 20 x 12	19-3/8 x 19-3/8 x 11-1/2	1400	.30	5.2
VK-10	12 x 24 x 12	11-3/8 x 23-3/8 x 11-1/2	1000	.30	4.0



STANDARD CONSTRUCTION

1. Granular Activated Carbon - 90% Activity Carbon Tetrachloride
600 Grams / Square Meter Carbon Media Weight
General Purpose Applications
2. Synthetic Media Laminate on Air-Entering and Air-Leaving Sides
No Carbon Dusting
3. 24 GA Galvanized Steel Construction
4. Plastic Finger Pleat Separators
5. Foam Melt Pack Sealant
6. (4) Retainer Holes for Spring Latches, Both Sides

NOTES

1. Rated Velocity - 500 FPM
2. Impregnated Media Options Available
 - A: Amine/Bases Chemisorption (Ammonia)
(Model Example VK-A-05)
 - F: Formaldehyde / Multipurpose Chemisorption
(Model Example VK-F-05)
3. Optional Gasket Available
 - D: Downstream Side
(Model Example VK-05-D)



P.O. Box 32578
Louisville, KY 40232
P: 502-969-2304
F: 502-961-0930

CONTACT FACTORY TO
VERIFY REVISION LEVEL

TOLERANCES
UNLESS OTHERWISE SPECIFIED

FRACTIONAL
DECIMAL
ANGLES

ALL DIMENSIONS IN INCHES

DRAWING NAME

VARI-KLEAN

APPROVED BY

R. Quinn

SPECIFICATION NO.

MKT-B-00508

PAGE

1 OF 1

SCALE

NONE

DWG. SIZE

A

REVISION

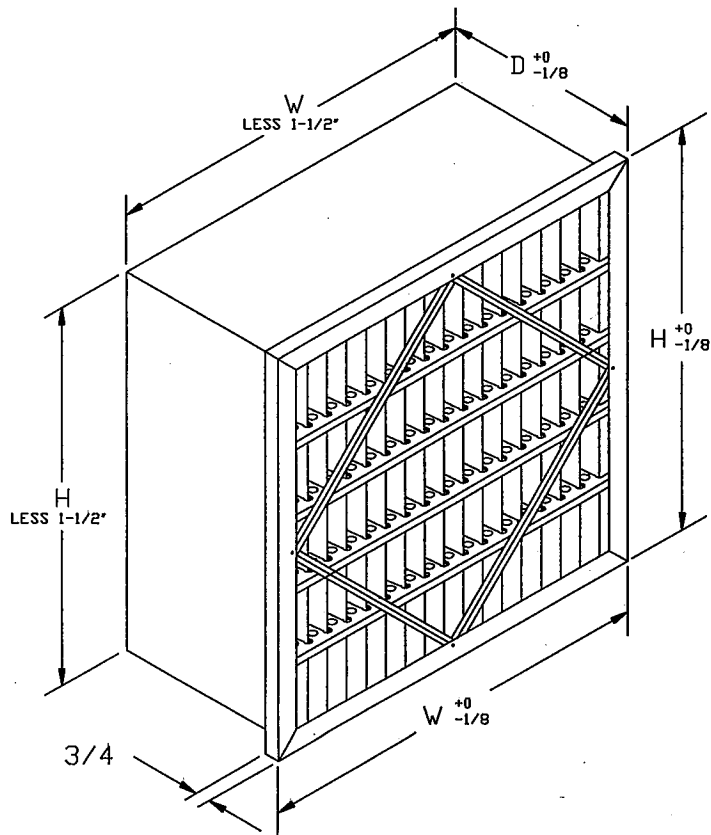
A

REVISION DATE

09-14-06

CONFIDENTIAL - DO NOT COPY. THIS MATERIAL IS TRADE SECRET AND PROPRIETARY BEING EXCLUSIVELY OWNED BY AIRGUARD. THE EXPRESSION OF THE INFORMATION CONTAINED HEREIN IS PROTECTED UNDER FEDERAL COPYRIGHT LAWS AND ALL COPYING IS PROHIBITED AND MAY BE SUBJECT TO CRIMINAL PENALTIES.

Model Number	Nominal Size (Inches) W x H x D	Actual Size (Inches) W x H x D	Rated Air Flow (CFM)	Initial Resistance (IN W.G.)	Media Weight (LBS)
VK-05-PH	24 x 24 x 12	23-3/8 x 23-3/8 x 11-1/2	2000	.40	6.0
VK-11-PH	20 x 24 x 12	19-3/8 x 23-3/8 x 11-1/2	1650	.40	5.0
VK-03-PH	20 x 20 x 12	19-3/8 x 19-3/8 x 11-1/2	1400	.40	4.2
VK-10-PH	12 x 24 x 12	11-3/8 x 23-3/8 x 11-1/2	1000	.40	3.0




STANDARD CONSTRUCTION

1. Granular Activated Carbon - 90% Activity Carbon Tetrachloride
600 Grams / Square Meter Carbon Media Weight
General Purpose Applications
2. Synthetic Media Laminate on Air-Entering and Air-Leaving Sides
No Carbon Dusting
3. 24 GA Galvanized Steel Construction
4. Single Header Upstream Side
5. Plastic Finger Pleat Separators
6. Foam Melt Pack Sealant

NOTES

1. Rated Velocity - 500 FPM
2. Impregnated Media Options Available
 - A: Amine/Bases Chemisorption (Ammonia)
(Model Example VK-A-05-PH)
 - F: Formaldehyde / Multipurpose Chemisorption
(Model Example VK-F-05-PH)
3. Optional Gasket Available
 - D: Downstream Side
(Model Example VK-05-PH-D)
 - SA: Side Access
(Model Example VK-05-PH-SA)

 AIRGUARD <small>ONE SOURCE FOR AIR FILTRATION PRODUCTS</small>	P.O. Box 32578 Louisville, KY 40232 P: 502-969-2304 F: 502-961-0930
	<p style="text-align: center;">CONTACT FACTORY TO VERIFY REVISION LEVEL</p>

TOLERANCES UNLESS OTHERWISE SPECIFIED	
FRACTIONAL	
DECIMAL	
ANGLES	
ALL DIMENSIONS IN INCHES	

DRAWING NAME			
VARI-KLEAN PH			
APPROVED BY <i>K. Owen</i>	SPECIFICATION NO. MKT-B-00511	PAGE 1 OF 1	
SCALE NONE	DWG. SIZE A	REVISION A	REVISION DATE 09-14-06
<small>CONFIDENTIAL - DO NOT COPY. THIS MATERIAL IS TRADE SECRET AND PROPRIETARY BEING EXCLUSIVELY OWNED BY AIRGUARD. THE EXPRESSION OF THE INFORMATION CONTAINED HEREIN IS PROTECTED UNDER FEDERAL COPYRIGHT LAWS AND ALL COPYING IS PROHIBITED AND MAY BE SUBJECT TO CRIMINAL PENALTIES.</small>			