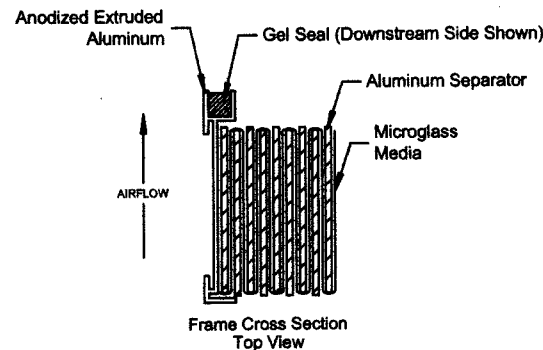
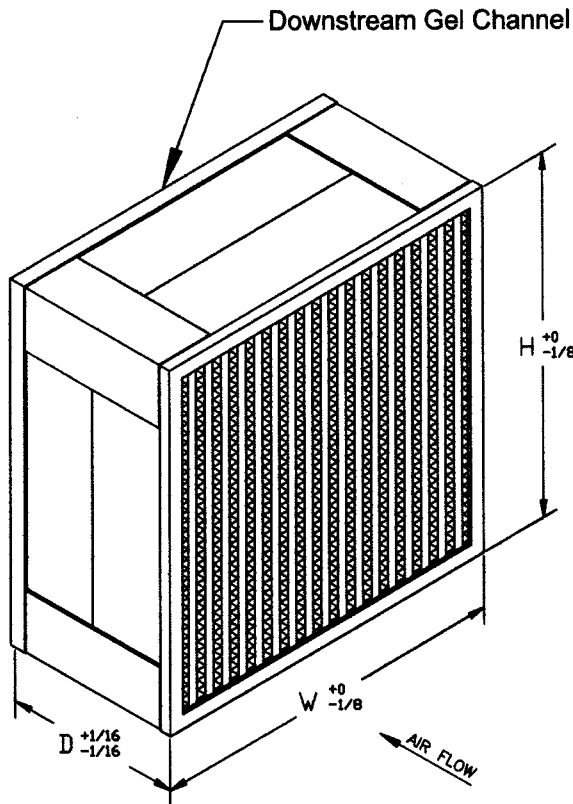


| Item Number | Model Number | Construction Code | Actual Size (Inches) H x W x D | Rated Air Flow (CFM) | Initial Resistance (In. W.G.) | Efficiency | Media Area (Square Feet) |
|-------------|-------------------|----------------------|-----------------------------------|----------------------|-------------------------------|---------------------|--------------------------|
| 2992187 | MC2000-501-GS-99 | H2424B00-0N0 F20 03F | 24 x 24 x 11-1/2 | 2000 | 1.35 | 99.99% @ 0.3 Micron | 286 |
| 2996558 | MC2000-500-GS-99 | H1224B00-0N0 F20 03F | 12 x 24 x 11-1/2 | 1000 | 1.35 | 99.99% @ 0.3 Micron | 133 |
| | MC2000-500R-GS-99 | H2412B00-0N0 F20 03F | 24 x 12 x 11-1/2 | 1000 | 1.35 | 99.99% @ 0.3 Micron | 133 |
| | MC2000-241-GS-99 | H2424A00-0N0 F20 03F | 24 x 24 x 5-7/8 | 1000 | 1.35 | 99.99% @ 0.3 Micron | 149 |
| | MC2000-1202-GS-99 | H1224A00-0N0 F20 03F | 12 x 24 x 5-7/8 | 500 | 1.35 | 99.99% @ 0.3 Micron | 70 |
| | MC2000-1212-GS-99 | H2412A00-0N0 F20 03F | 24 x 12 x 5-7/8 | 500 | 1.35 | 99.99% @ 0.3 Micron | 70 |



| Construction | Code | Description |
|----------------------------|------|--|
| Standard and Certification | 0 | HEPA-IEST-RP-CC001.3, per MIL-STD 282 |
| Frame Material | N | Anodized Extruded Aluminum |
| Frame Style | 0 | 4-Piece Box |
| Gasket | F | Channel w/ Urethane Gel (155 deg. F) |
| Gasket Location | 2 | Downstream |
| Sealant | 0 | Urethane (180 deg. F) |
| Hardware | 0 | None |
| Acceptance Level | 3 | 99.99% on 0.3 Micron Scanned (Leak Tested) |
| Separators | F | Aluminum Separators, High Capacity |

NOTES

- Media: Micro-Glass Fiber / Acrylic Resin Binder
- Rated Velocity
11-1/2" Depth - 500 FPM
5-7/8" Depth - 250 FPM
- See Drawings MKT-B-00362 & MKT-B-00363 For Resistance Curves
- Recommended Final Resistance: 2.7" W.G. @ Rated Flow (Twice Initial Resistance)
- Class 2 Filter Per U.L. Standard 900
- Maximum Operating Temperature: 155 Deg. F
- Standard Gasket Location Downstream, Construction Code 0N0 F20 03F
- Optional Gasket Locations (Do NOT Use Item Numbers Shown Above)
-U: Upstream Sides (Ex. MC2000-501-GS-99-U), Construction Code 0N0 F10 03F

AIRGUARD ONE SOURCE FOR AIR FILTRATION PRODUCTS
P.O. Box 32578
Louisville, KY 40232
P: 502-969-2304
F: 502-969-2759

CONTACT FACTORY TO VERIFY REVISION LEVEL

TOLERANCES
UNLESS OTHERWISE SPECIFIED

FRACTIONAL -
DECIMAL -
ANGLES -

ALL DIMENSIONS IN INCHES

DRAWING NAME: **MICROGUARD 2000 (EXTRUDED ALUMINUM GEL SEAL - 99.99%)**

APPROVED BY: *[Signature]* SPECIFICATION NO. MKT-B-00425 PAGE 1 OF 1

SCALE: NONE DVG. SIZE: A REVISION: NEW REVISION DATE: 05-03-04

CONFIDENTIAL - DO NOT COPY. THIS MATERIAL IS TRADE SECRET AND PROPRIETARY BEING EXCLUSIVELY OWNED BY AIRGUARD. THE EXPRESSION OF THE INFORMATION CONTAINED HEREIN IS PROTECTED UNDER FEDERAL COPYRIGHT LAWS AND ALL COPYING IS PROHIBITED AND MAY BE SUBJECT TO CRIMINAL PENALTIES.