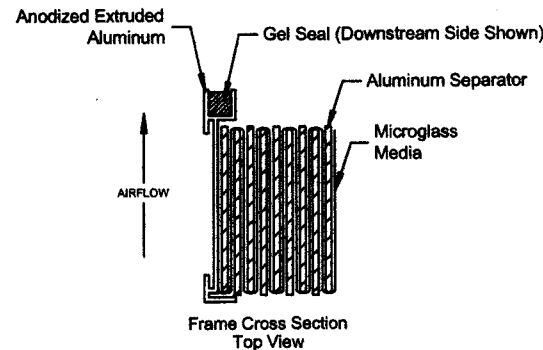
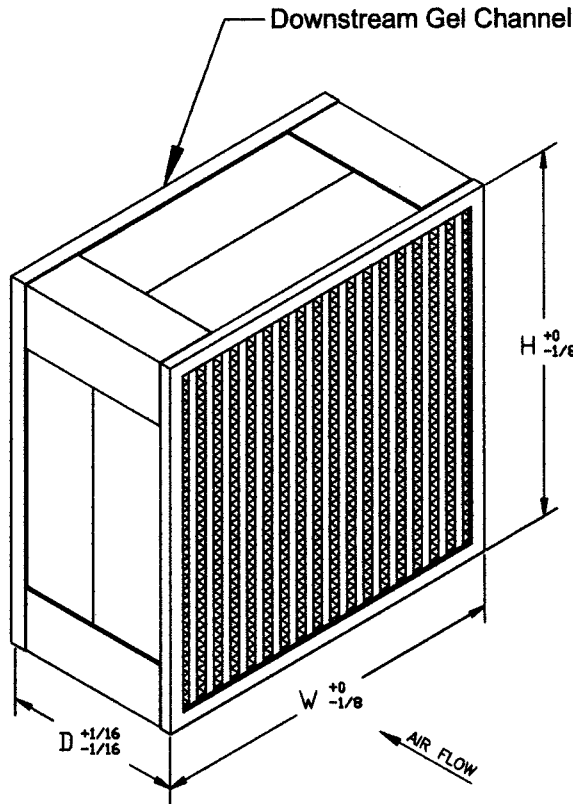


Item Number	Model Number	Construction Code	Actual Size (Inches) H x W x D	Rated Air Flow (CFM)	Initial Resistance (in. W.G.)	Efficiency	Media Area (Square Feet)
	MC2000-501-GS	H2424B00-0N0 F20 00F	24 x 24 x 11-1/2	2000	1.35	99.97% @ 0.3 Micron	286
2979197	MC2000-500-GS	H1224B00-0N0 F20 00F	12 x 24 x 11-1/2	1000	1.35	99.97% @ 0.3 Micron	133
2979031	MC2000-500R-GS	H2412B00-0N0 F20 00F	24 x 12 x 11-1/2	1000	1.35	99.97% @ 0.3 Micron	133
	MC2000-241-GS	H2424A00-0N0 F20 00F	24 x 24 x 5-7/8	1000	1.35	99.97% @ 0.3 Micron	149
	MC2000-1202-GS	H1224A00-0N0 F20 00F	12 x 24 x 5-7/8	500	1.35	99.97% @ 0.3 Micron	70
	MC2000-1212-GS	H2412A00-0N0 F20 00F	24 x 12 x 5-7/8	500	1.35	99.97% @ 0.3 Micron	70



Construction	Code	Description
Standard and Certification	0	HEPA-IEST-RP-CC001.3, Type A per MIL-STD 282
Frame Material	N	Anodized Extruded Aluminum
Frame Style	0	4-Piece Box
Gasket	F	Channel w/ Urethane Gel (155 deg. F)
Gasket Location	2	Downstream
Sealant	0	Urethane (180 deg. F)
Hardware	0	None
Acceptance Level	0	99.97% on 0.3 Micron Overall (Q-107 Tested)
Separators	F	Aluminum Separators, High Capacity

NOTES

- Media: Micro-Glass Fiber / Acrylic Resin Binder
- Rated Velocity
11-1/2" Depth - 500 FPM
5-7/8" Depth - 250 FPM
- See Drawings MKT-B-00362 & MKT-B-00363 For Resistance Curves
- Recommended Final Resistance: 2.7" W.G. @ Rated Flow (Twice Initial Resistance)
- Class 2 Filter Per U.L Standard 900
- Maximum Operating Temperature: 155 Deg. F
- Standard Gasket Location Downstream, Construction Code 0N0 F20 00F
- Optional Gasket Locations (Do NOT Use Item Numbers Shown Above)
-U: Upstream Sides (Ex. MC2000-501-GS-U), Construction Code 0N0 F10 00F

AIRGUARD ONE SOURCE FOR AIR FILTRATION PRODUCTS
P.O. Box 32578
Louisville, KY 40232
P: 502-969-2304
F: 502-969-2759

CONTACT FACTORY TO VERIFY REVISION LEVEL

TOLERANCES UNLESS OTHERWISE SPECIFIED

FRACTIONAL	-
DECIMAL	-
ANGLES	-

ALL DIMENSIONS IN INCHES

DRAWING NAME: **MICROGUARD 2000 (EXTRUDED ALUMINUM GEL SEAL - 99.97%)**

APPROVED BY: *[Signature]* SPECIFICATION NO. MKT-B-00424 PAGE 1 OF 1

SCALE: NONE DWG. SIZE: A REVISION: NEW REVISION DATE: 05-03-04

CONFIDENTIAL - DO NOT COPY. THIS MATERIAL IS TRADE SECRET AND PROPRIETARY BEING EXCLUSIVELY OWNED BY AIRGUARD. THE EXPRESSION OF THE INFORMATION CONTAINED HEREIN IS PROTECTED UNDER FEDERAL COPYRIGHT LAWS AND ALL COPYING IS PROHIBITED AND MAY BE SUBJECT TO CRIMINAL PENALTIES.