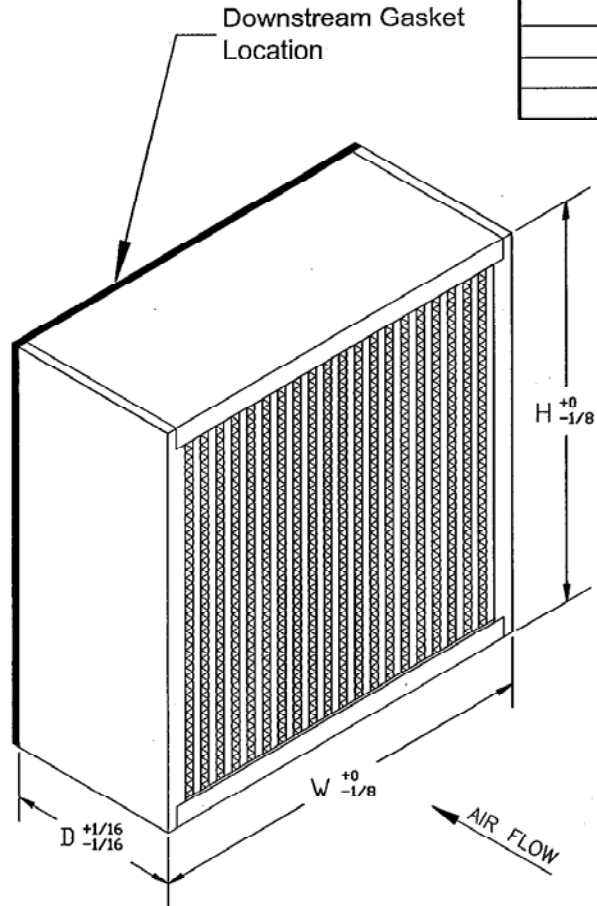
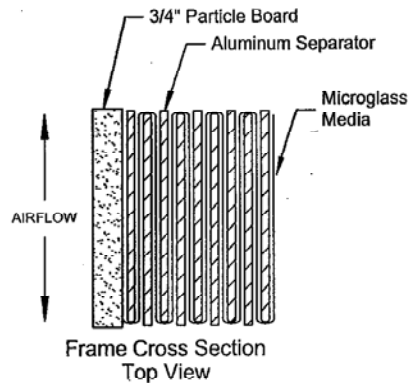


Item Number	Model Number	Construction Code	Actual Size (Inches) H x W x D	Rated Air Flow (CFM)	Initial Resistance (In. W.G.)	Efficiency	Media Area (Square Feet)
2590450	M-501-XL	H2424B00-000 000 040	24 x 24 x 11-1/2	1050	1.20	99.99% @ 0.3 Micron	185
	M-501A-XL	H2323B33-000 000 040	23-3/8 x 23-3/8 x 11-1/2	1000	1.20	99.99% @ 0.3 Micron	173
	M-500-XL	H1224B00-000 000 040	12 x 24 x 11-1/2	525	1.20	99.99% @ 0.3 Micron	88
	M-500A-XL	H1123B33-000 000 040	11-3/8 x 23-3/8 x 11-1/2	500	1.20	99.99% @ 0.3 Micron	79
	M-500R-XL	H2412B00-000 000 040	24 x 12 x 11-1/2	525	1.20	99.99% @ 0.3 Micron	88
	M-500AR-XL	H2311B33-000 000 040	23-3/8 x 11-3/8 x 11-1/2	500	1.20	99.99% @ 0.3 Micron	79
	M-241-XL	H2424A00-000 000 040	24 x 24 x 5-7/8	550	1.20	99.99% @ 0.3 Micron	97
	M-241A-XL	H2323A33-000 000 040	23-3/8 x 23-3/8 x 5-7/8	520	1.20	99.99% @ 0.3 Micron	91
	M-1202-XL	H1224A00-000 000 040	12 x 24 x 5-7/8	275	1.20	99.99% @ 0.3 Micron	45
	M-1202A-XL	H1123A33-000 000 040	11-3/8 x 23-3/8 x 5-7/8	260	1.20	99.99% @ 0.3 Micron	42
	M-1212-XL	H2412A00-000 000 040	24 x 12 x 5-7/8	275	1.20	99.99% @ 0.3 Micron	45
	M-1212A-XL	H2311A33-000 000 040	23-3/8 x 11-3/8 x 5-7/8	260	1.20	99.99% @ 0.3 Micron	42



Construction	Code	Description
Standard and Certification	0	HEPA-TEST-RP-CC001.3 per MIL-STD 282
Frame Material	0	3/4" Particle Board (U.L. Class 2)
Frame Style	0	4 Piece Box
Gasket	0	Urethane 1/4" x 3/4" (180 deg. F), Dovetail Joints
Gasket Location	0	Downstream
Sealant	0	Urethane (180 deg. F)
Hardware	0	None
Acceptance Level	4	99.999% on 0.3 Micron Scanned (Leak Tested)
Separators	0	Aluminum Separators, Standard Capacity



**NOTES**

- Media: Micro-Glass Fiber / Acrylic Resin Binder
- Rated Velocity  
11-1/2" Depth - 250 FPM  
5-7/8" Depth - 125 FPM
- See Drawings MKT-B-00354 & MKT-B-00355 For Resistance Curves
- Recommended Final Resistance: 2.4" W.G. @ Rated Flow (Twice Initial Resistance)
- Class 2 Filter Per U.L. Standard 900
- Maximum Operating Temperature: 180 Deg. F
- Standard Gasket Location Downstream, Construction Code 000 000 040
- Optional Gasket Locations (Do NOT Use Item Numbers Shown Above)  
-U: Upstream Side (Ex. M-501-XL-U), Construction Code 000 110 040  
-UD: Both Sides (Ex. M-501-XL-UD), Construction Code 000 130 040  
No Gasket (Ex. M-501-XL, No Gasket), Construction Code 000 750 040

<p>ONE SOURCE FOR AIR FILTRATION PRODUCTS</p>	<p>P.O. Box 32578 Louisville, KY 40232 P: 502-969-2304 F: 502-969-2759</p>	<p><b>TOLERANCES</b> UNLESS OTHERWISE SPECIFIED</p>		<p>DRAWING NAME <b>MICROGUARD 99</b> <b>(PARTICLE BOARD BOX - 99.999%)</b></p>	
		<p>FRACTIONAL -</p> <p>DECIMAL -</p> <p>ANGLES -</p>	<p>APPROVED BY <i>K. Coonan</i></p> <p>SCALE NONE</p>	<p>SPECIFICATION NO. MKT-B-00378</p> <p>DWG. SIZE A</p>	<p>REVISION B</p> <p>REVISION DATE 08-18-05</p>
<p><b>CONTACT FACTORY TO VERIFY REVISION LEVEL</b></p>		<p>ALL DIMENSIONS IN INCHES</p>		<p>CONFIDENTIAL - DO NOT COPY. THIS MATERIAL IS TRADE SECRET AND PROPRIETARY BEING EXCLUSIVELY OWNED BY AIRGUARD. THE EXPRESSION OF THE INFORMATION CONTAINED HEREIN IS PROTECTED UNDER FEDERAL COPYRIGHT LAWS AND ALL COPYING IS PROHIBITED AND MAY BE SUBJECT TO CRIMINAL PENALTIES.</p>	