

V P

Venti-Pak

- 9 = 90-95%
- 8 = 80-85%
- 6 = 60-65%
- 5 = 50-55%
- 4 = 40-45%

NOMINAL HEADER SIZE CHART (HXW)	
A = 24 X 24	
B = 24 X 12	
C = 12 X 24	
D = 24 X 20	
E = 20 X 24	
F = 20 X 20	
G = 20 X 16	
H = 16 X 20	
J = 25 X 16 (CP4 only)	
K = 16 X 25	
L = 25 X 20 (CP4 only)	
M = 20 X 25	

SIZE W X H	# OF POCKETS
24 X 24	05 - 12
12 X 24	03 - 05
24 X 12	05 - 12
20 X 24	05 - 09
24 X 20	05 - 12
20 X 20	04 - 09
16 X 20	03 - 07
20 X 16	04 - 09
16 X 25	03 - 12
25 X 16	05 - 12
20 X 25	03 - 12
25 X 20	05 - 12

DEPTH OF BAG

OPTIONAL FEATURES

OPTIONAL FEATURES WILL BE INDECATED BY SUFFIXES FOLLOWING THE BASIC MODEL NUMBER:

OPTIONAL HEADER THICKNESS

- B - 1 3/4" HEADER
- C - 1 1/8" HEADER
- E - 1" HEADER

GASKET LOCATION:

- U - UPSTREAM (FRONT FACE OF HEADER)
- D - DOWNSTREAM (BACK OF HEADER)
- UD - BOTH FACES OF HEADER
- SA - SIDE ACCESS (ONE VERTICAL SIDE OF HEADER)
- P - PERIMETER (ALL FOUR EDGES OF HEADER)

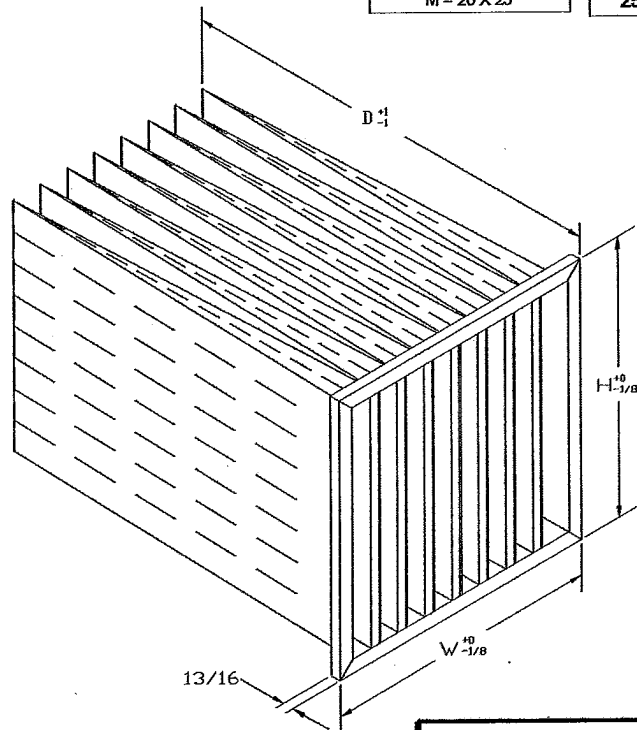
EXTENDER RODS - DX

LOOPS:

- L - LOOP ON TOP OF EACH POCKET
- LTB - LOOP ON TOP AND BOTTOM OF EACH POCKET

MODEL NUMBER EXAMPLE:

VP9-A-8-26-C-D-LTB



STANDARD CONSTRUCTION

1. High Efficiency, Microglass Media
2. Sewn Pocket Construction
3. Span Stich Pocket Separators
4. Galvanized Steel Header
5. Galvanized Steel Pocket Retainers

NOTES

1. Four Efficiencies Available (Media Color in Parentheses)
 - 90-95% ASHRAE 52.1-1992, MERV 14 ASHRAE 52.2-1999 (Yellow)
 - 80-85% ASHRAE 52.1-1992, MERV 13 ASHRAE 52.2-1999 (Pink)
 - 60-65% ASHRAE 52.1-1992, MERV 12 ASHRAE 52.2-1999 (Orange)
 - 50-55% ASHRAE 52.1-1992, MERV 11 ASHRAE 52.2-1999 (White)
 - 40-45% ASHRAE 52.1-1992, MERV 10 ASHRAE 52.2-1999 (Green)
2. Final Resistance: 1.5" W.G.
3. Rated Velocity: 500 FPM
4. Header Sizes are Nominal. Subtract 5/8" for Actual Size
5. Class 2 Filter Per U.L. Standard 900
6. Maximum Operating Temperature: 190 deg. F



P.O. Box 32578
 Louisville, KY 40232
 P: 866-247-4827
 F: 502-961-0930
 www.airguard.com

CONTACT FACTORY TO
 VERIFY REVISION LEVEL

TOLERANCES UNLESS OTHERWISE SPECIFIED

- FRACTIONAL -
- DECIMAL -
- ANGLES -

ALL DIMENSIONS IN INCHES

DRAWING NAME

VENTI-PAK

APPROVED BY

[Signature]

SPECIFICATION NO.

MKT-B-00313

PAGE

1 OF 1

SCALE

NONE

DWG. SIZE

A

REVISION

E

REVISION DATE

01-04-2008

CONFIDENTIAL - DO NOT COPY. THIS MATERIAL IS TRADE SECRET AND PROPRIETARY BEING EXCLUSIVELY OWNED BY CLC AIR. THE EXPRESSION OF THE INFORMATION CONTAINED HEREIN IS PROTECTED UNDER FEDERAL COPYRIGHT LAWS AND ALL COPYING IS PROHIBITED AND MAY BE SUBJECT TO CRIMINAL PENALTIES.