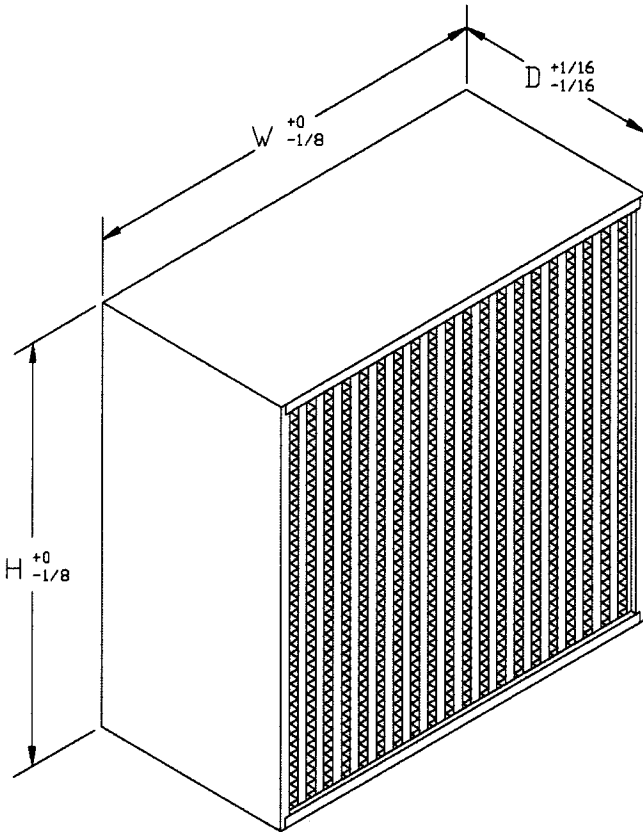


Model Number	Nominal Size (Inches) W x H x D	Actual Size (Inches) W x H x D	Rated Air Flow (CFM)	Initial Resistance (IN W.G.)			Media Area (Square Feet)
				90-95%	80-85%	60-65%	
VFA-*04	24 x 24 x 12	23-3/8 x 23-3/8 x 11-1/2	2000	.65	.55	.40	142
VFA-*12	20 x 25 x 12	19-3/8 x 24-3/8 x 11-1/2	1750	.65	.55	.40	124
VFA-*15	20 x 24 x 12	19-3/8 x 23-3/8 x 11-1/2	1650	.65	.55	.40	119
VFA-*13	20 x 20 x 12	19-3/8 x 19-3/8 x 11-1/2	1400	.65	.55	.40	99
VFA-*11	18 x 24 x 12	17-3/8 x 23-3/8 x 11-1/2	1500	.65	.55	.40	106
VFA-*10	16 x 25 x 12	15-3/8 x 24-3/8 x 11-1/2	1400	.65	.55	.40	97
VFA-*09	16 x 20 x 12	15-3/8 x 19-3/8 x 11-1/2	1100	.65	.55	.40	77
VFA-*03	12 x 24 x 12	11-3/8 x 23-3/8 x 11-1/2	1000	.65	.55	.40	70
VFA-*02	24 x 24 x 6	23-3/8 x 23-3/8 x 5-7/8	1000	.38	.35	.20	64
VFA-*08	20 x 25 x 6	19-3/8 x 24-3/8 x 5-7/8	875	.38	.35	.20	56
VFA-*16	20 x 24 x 6	19-3/8 x 23-3/8 x 5-7/8	825	.38	.35	.20	54
VFA-*14	20 x 20 x 6	19-3/8 x 19-3/8 x 5-7/8	700	.38	.35	.20	45
VFA-*07	18 x 24 x 6	17-3/8 x 23-3/8 x 5-7/8	750	.38	.35	.20	48
VFA-*06	16 x 25 x 6	15-3/8 x 24-3/8 x 5-7/8	700	.38	.35	.20	44
VFA-*05	16 x 20 x 6	15-3/8 x 19-3/8 x 5-7/8	550	.38	.35	.20	35
VFA-*01	12 x 24 x 6	11-3/8 x 23-3/8 x 5-7/8	500	.38	.35	.20	31

\* - Filter Efficiency (9 = 90-95%, 8 = 80-85%, 6 = 60-65%)



**STANDARD CONSTRUCTION**

1. High Efficiency, Microglass Paper Media
2. Corrugated Aluminum Separators With Rolled Edges
3. Microglass Paper Wrap Around media Pack  
Latex Adhesive Sealant
4. 1/2" Particle Board Cell Sides

**NOTES**

1. Average Efficiency, MERV (52.2)  
90-95% ASHRAE 52.1-1992, MERV 14 ASHRAE 52.2-1999  
80-85% ASHRAE 52.1-1992, MERV 13 ASHRAE 52.2-1999  
60-65% ASHRAE 52.1-1992, MERV 11 ASHRAE 52.2-1999
2. Final Resistance: 1.5" W.G.
3. Rated Velocity 12" Deep - 500 FPM
4. Rated Velocity 6" Deep - 250 FPM
5. Class 2 Filter Per U.L. Standard 900
6. Maximum Operating Temperature: 200 deg. F
7. Optional Gasket Available  
U - Upstream Gasket (Ex: VFA-904-U)  
D - Downstream Gasket  
UD- Both Sides
8. Reverse Pleat Orientation Available  
Add "-R" to Model Number (Ex: VFA-904-R)
9. Special Sizes Available

**AIRGUARD** ONE SOURCE FOR AIR FILTRATION PRODUCTS  
P.O. Box 32578  
Louisville, KY 40232  
P: 502-969-2304  
F: 502-961-0930

CONTACT FACTORY TO  
VERIFY REVISION LEVEL

**TOLERANCES**  
UNLESS OTHERWISE SPECIFIED

- FRACTIONAL -  
DECIMAL -  
ANGLES -

ALL DIMENSIONS IN INCHES

DRAWING NAME  
**VARIFLOW VFA (WOOD BOX STYLE)**

APPROVED BY *KCO* SPECIFICATION NO. MKT-B-00138 PAGE 1 OF 1

SCALE NONE DWG. SIZE A REVISION A REVISION DATE 06-12-03

CONFIDENTIAL - DO NOT COPY. THIS MATERIAL IS TRADE SECRET AND PROPRIETARY BEING EXCLUSIVELY OWNED BY AIRGUARD. THE EXPRESSION OF THE INFORMATION CONTAINED HEREIN IS PROTECTED UNDER FEDERAL COPYRIGHT LAWS AND ALL COPYING IS PROHIBITED AND MAY BE SUBJECT TO CRIMINAL PENALTIES.

Model Number	Nominal Size (Inches) W x H x D	Actual Size (Inches) W x H x D	Rated Air Flow (CFM)	Initial Resistance (IN W.G.)			Media Area (Square Feet)
				90-95%	80-85%	60-65%	
VFB-*04	24 x 24 x 12	23-3/8 x 23-3/8 x 11-1/2	2000	.65	.55	.40	124
VFB-*12	20 x 25 x 12	19-3/8 x 24-3/8 x 11-1/2	1750	.65	.55	.40	106
VFB-*15	20 x 24 x 12	19-3/8 x 23-3/8 x 11-1/2	1650	.65	.55	.40	102
VFB-*13	20 x 20 x 12	19-3/8 x 19-3/8 x 11-1/2	1400	.65	.55	.40	83
VFB-*11	18 x 24 x 12	17-3/8 x 23-3/8 x 11-1/2	1500	.65	.55	.40	89
VFB-*10	16 x 25 x 12	15-3/8 x 24-3/8 x 11-1/2	1400	.65	.55	.40	81
VFB-*09	16 x 20 x 12	15-3/8 x 19-3/8 x 11-1/2	1100	.65	.55	.40	63
VFB-*03	12 x 24 x 12	11-3/8 x 23-3/8 x 11-1/2	1000	.65	.55	.40	56
VFB-*02	24 x 24 x 6	23-3/8 x 23-3/8 x 5-7/8	1000	.38	.35	.20	56
VFB-*08	20 x 25 x 6	19-3/8 x 24-3/8 x 5-7/8	875	.38	.35	.20	48
VFB-*16	20 x 24 x 6	19-3/8 x 23-3/8 x 5-7/8	825	.38	.35	.20	46
VFB-*14	20 x 20 x 6	19-3/8 x 19-3/8 x 5-7/8	700	.38	.35	.20	37
VFB-*07	18 x 24 x 6	17-3/8 x 23-3/8 x 5-7/8	750	.38	.35	.20	40
VFB-*06	16 x 25 x 6	15-3/8 x 24-3/8 x 5-7/8	700	.38	.35	.20	37
VFB-*05	16 x 20 x 6	15-3/8 x 19-3/8 x 5-7/8	550	.38	.35	.20	28
VFB-*01	12 x 24 x 6	11-3/8 x 23-3/8 x 5-7/8	500	.38	.35	.20	25

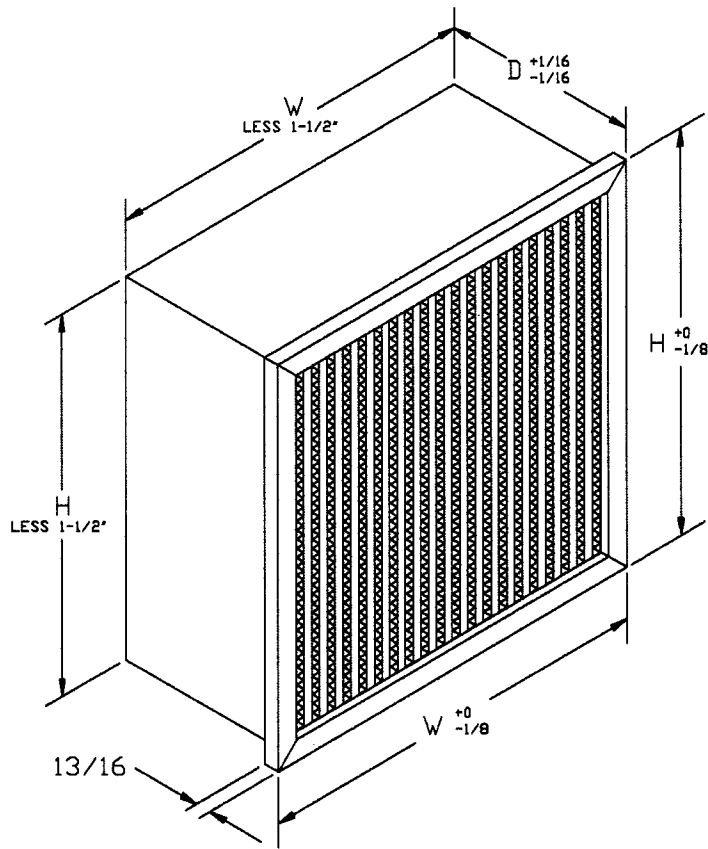
\* - Filter Efficiency (9 = 90-95%, 8 = 80-85%, 6 = 60-65%)

**STANDARD CONSTRUCTION**

1. High Efficiency, Microglass Paper Media
2. Corrugated Aluminum Separators With Rolled Edges
3. Microglass Paper Wrap Around Media Pack  
Latex Adhesive Sealant
4. 1/2" Particle Board Cell Sides
5. Metal Header on Air Entering Side  
Single Piece U-Channel

**NOTES**

1. Average Efficiency, MERV (52.2)  
90-95% ASHRAE 52.1-1992, MERV 14 ASHRAE 52.2-1999  
80-85% ASHRAE 52.1-1992, MERV 13 ASHRAE 52.2-1999  
60-65% ASHRAE 52.1-1992, MERV 11 ASHRAE 52.2-1999
2. Final Resistance: 1.5" W.G.
3. Rated Velocity 12" Deep - 500 FPM
4. Rated Velocity 6" Deep - 250 FPM
5. Class 1 Filter Per U.L. Standard 900
6. Maximum Operating Temperature: 350 deg. F
7. Optional Gasket Available  
U - Upstream Gasket (Ex: VFB-904-U)  
D - Downstream Gasket  
UD- Both Sides
8. Reverse Pleat Orientation Available  
Add "-R" to Model Number (Ex: VFB-904-R)
9. Optional 1-1/8" Header ("C" Header) Available  
Add "-C" Onto The Model Number (Ex: VFB-904-C)
10. Special Sizes Available



**AIRGUARD** ONE SOURCE FOR AIR FILTRATION PRODUCTS  
P.O. Box 32578  
Louisville, KY 40232  
P: 502-969-2304  
F: 502-961-0930

**CONTACT FACTORY TO VERIFY REVISION LEVEL**

**TOLERANCES UNLESS OTHERWISE SPECIFIED**

FRACTIONAL -  
DECIMAL -  
ANGLES -

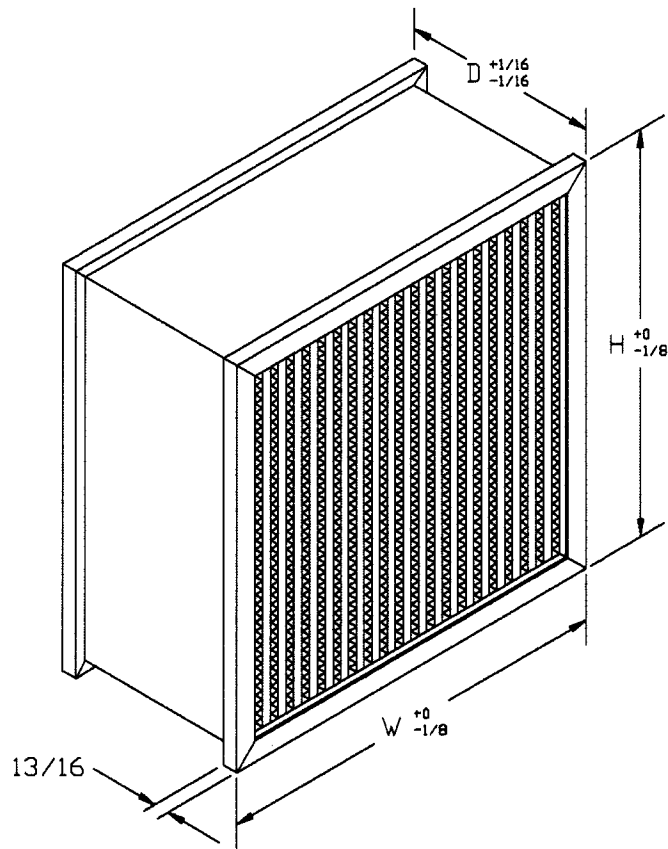
ALL DIMENSIONS IN INCHES

**DRAWING NAME**  
**VARIFLOW VFB (WOOD SINGLE HEADER)**

APPROVED BY *H. Co...* SPECIFICATION NO. MKT-B-00139 PAGE 1 OF 1

SCALE NONE DWG. SIZE A REVISION A REVISION DATE 06-12-03

CONFIDENTIAL - DO NOT COPY. THIS MATERIAL IS TRADE SECRET AND PROPRIETARY BEING EXCLUSIVELY OWNED BY AIRGUARD. THE EXPRESSION OF THE INFORMATION CONTAINED HEREIN IS PROTECTED UNDER FEDERAL COPYRIGHT LAWS AND ALL COPYING IS PROHIBITED AND MAY BE SUBJECT TO CRIMINAL PENALTIES.



Model Number	Nominal Size (Inches) W x H x D	Actual Size (Inches) W x H x D	Rated Air Flow (CFM)	Initial Resistance (IN W.G.)			Media Area (Square Feet)
				90-95%	80-85%	60-65%	
VFC-*04	24 x 24 x 12	23-3/8 x 23-3/8 x 11-1/2	2000	.65	.55	.40	124
VFC-*12	20 x 25 x 12	19-3/8 x 24-3/8 x 11-1/2	1750	.65	.55	.40	106
VFC-*15	20 x 24 x 12	19-3/8 x 23-3/8 x 11-1/2	1650	.65	.55	.40	102
VFC-*13	20 x 20 x 12	19-3/8 x 19-3/8 x 11-1/2	1400	.65	.55	.40	83
VFC-*11	18 x 24 x 12	17-3/8 x 23-3/8 x 11-1/2	1500	.65	.55	.40	89
VFC-*10	16 x 25 x 12	15-3/8 x 24-3/8 x 11-1/2	1400	.65	.55	.40	81
VFC-*09	16 x 20 x 12	15-3/8 x 19-3/8 x 11-1/2	1100	.65	.55	.40	63
VFC-*03	12 x 24 x 12	11-3/8 x 23-3/8 x 11-1/2	1000	.65	.55	.40	56
VFC-*02	24 x 24 x 6	23-3/8 x 23-3/8 x 5-7/8	1000	.38	.35	.20	56
VFC-*08	20 x 25 x 6	19-3/8 x 24-3/8 x 5-7/8	875	.38	.35	.20	48
VFC-*16	20 x 24 x 6	19-3/8 x 23-3/8 x 5-7/8	825	.38	.35	.20	46
VFC-*14	20 x 20 x 6	19-3/8 x 19-3/8 x 5-7/8	700	.38	.35	.20	37
VFC-*07	18 x 24 x 6	17-3/8 x 23-3/8 x 5-7/8	750	.38	.35	.20	40
VFC-*06	16 x 25 x 6	15-3/8 x 24-3/8 x 5-7/8	700	.38	.35	.20	37
VFC-*05	16 x 20 x 6	15-3/8 x 19-3/8 x 5-7/8	550	.38	.35	.20	28
VFC-*01	12 x 24 x 6	11-3/8 x 23-3/8 x 5-7/8	500	.38	.35	.20	25

\* - Filter Efficiency (9 = 90-95%, 8 = 80-85%, 6 = 60-65%)

#### STANDARD CONSTRUCTION

1. High Efficiency, Microglass Paper Media
2. Corrugated Aluminum Separators With Rolled Edges
3. Microglass Paper Wrap Around Media Pack  
Latex Adhesive Sealant
4. 1/2" Particle Board Cell Sides
5. Header on Both Side: Single Piece U-Channel

#### NOTES

1. Average Efficiency, MERV (52.2)  
90-95% ASHRAE 52.1-1992, MERV 14 ASHRAE 52.2-1999  
80-85% ASHRAE 52.1-1992, MERV 13 ASHRAE 52.2-1999  
60-65% ASHRAE 52.1-1992, MERV 11 ASHRAE 52.2-1999
2. Final Resistance: 1.5" W.G.
3. Rated Velocity 12" Deep - 500 FPM
4. Rated Velocity 6" Deep - 250 FPM
5. Class 2 Filter Per U.L. Standard 900
6. Maximum Operating Temperature: 200 deg. F
7. Optional Gasket Available  
U - Upstream Gasket (Ex: VFC-904-U)  
D - Downstream Gasket  
UD- Both Sides
8. Reverse Pleat Orientation Available  
Add "-R" to Model Number (Ex: VFC-904-R)
9. Special Sizes Available

**AIRGUARD** ONE SOURCE FOR AIR FILTRATION PRODUCTS  
 P.O. Box 32578  
 Louisville, KY 40232  
 P: 502-969-2304  
 F: 502-961-0930

CONTACT FACTORY TO  
 VERIFY REVISION LEVEL

TOLERANCES  
 UNLESS OTHERWISE SPECIFIED

FRACTIONAL  
 DECIMAL  
 ANGLES

ALL DIMENSIONS IN INCHES

DRAWING NAME  
**VARIFLOW VFC (WOOD DOUBLE HEADER)**

APPROVED BY <i>HCA</i>	SPECIFICATION NO. MKT-B-00140	PAGE 1 OF 1
SCALE NONE	DWG. SIZE A	REVISION A
		REVISION DATE 06-12-04

CONFIDENTIAL - DO NOT COPY. THIS MATERIAL IS TRADE SECRET AND PROPRIETARY BEING EXCLUSIVELY OWNED BY AIRGUARD. THE EXPRESSION OF THE INFORMATION CONTAINED HEREIN IS PROTECTED UNDER FEDERAL COPYRIGHT LAWS AND ALL COPYING IS PROHIBITED AND MAY BE SUBJECT TO CRIMINAL PENALTIES.