

Model Number *	Nominal Size (Inches) W x H x D	Actual Size (Inches) W x H x D	Rated Air Flow (CFM)	Initial Resistance (IN W.G.)			Media Area (Square Feet)
				90-95%	80-85%	60-65%	
VSC-FA_04	24 x 24 x 12	23-3/8 x 23-3/8 x 11-1/2	2000	.70	.60	.43	121
VSC-FA_12	20 x 25 x 12	19-3/8 x 24-3/8 x 11-1/2	1750	.70	.60	.43	105
VSC-FA_15	20 x 24 x 12	19-3/8 x 23-3/8 x 11-1/2	1650	.70	.60	.43	101
VSC-FA_13	20 x 20 x 12	19-3/8 x 19-3/8 x 11-1/2	1400	.70	.60	.43	83
VSC-FA_11	18 x 24 x 12	17-3/8 x 23-3/8 x 11-1/2	1500	.70	.60	.43	91
VSC-FA_10	16 x 25 x 12	15-3/8 x 24-3/8 x 11-1/2	1400	.70	.60	.43	84
VSC-FA_09	16 x 20 x 12	15-3/8 x 19-3/8 x 11-1/2	1100	.70	.60	.43	67
VSC-FA_03	12 x 24 x 12	11-3/8 x 23-3/8 x 11-1/2	1000	.70	.60	.43	57
VSC-FA_02	24 x 24 x 6	23-3/8 x 23-3/8 x 5-7/8	1000	.40	.38	.23	55
VSC-FA_08	20 x 25 x 6	19-3/8 x 24-3/8 x 5-7/8	875	.40	.38	.23	48
VSC-FA_16	20 x 24 x 6	19-3/8 x 23-3/8 x 5-7/8	825	.40	.38	.23	46
VSC-FA_14	20 x 20 x 6	19-3/8 x 19-3/8 x 5-7/8	700	.40	.38	.23	38
VSC-FA_07	18 x 24 x 6	17-3/8 x 23-3/8 x 5-7/8	750	.40	.38	.23	42
VSC-FA_06	16 x 25 x 6	15-3/8 x 24-3/8 x 5-7/8	700	.40	.38	.23	38
VSC-FA_05	16 x 20 x 6	15-3/8 x 19-3/8 x 5-7/8	550	.40	.38	.23	31
VSC-FA_01	12 x 24 x 6	11-3/8 x 23-3/8 x 5-7/8	500	.40	.38	.23	26

* - Insert Filter Efficiency Code (9=90-95%, 8=80-85%, 6=60-65%). Example VSC-FA-904 is 90-95%, 24x24x12 Nominal Size

STANDARD CONSTRUCTION

1. High Efficiency, Microglass Paper Media
2. Corrugated Aluminum Separators With Rolled Edges
3. Microglass Paper Wrap Around media Pack Latex Adhesive Sealant
4. 1/2" Particle Board Cell Sides

NOTES

1. Average Efficiency, MERV (52.2)
90-95% ASHRAE 52.1-1992, MERV 14 ASHRAE 52.2-1999
80-85% ASHRAE 52.1-1992, MERV 13 ASHRAE 52.2-1999
60-65% ASHRAE 52.1-1992, MERV 11 ASHRAE 52.2-1999
2. Final Resistance: 1.5" W.G.
3. Rated Velocity 12" Deep - 500 FPM
4. Rated Velocity 6" Deep - 250 FPM
5. Class 2 Filter Per U.L. Standard 900
6. Maximum Operating Temperature: 200 deg. F
7. Optional Gasket Available
U - Upstream Gasket (Ex: VSC-FA-904-U)
D - Downstream Gasket
UD- Both Sides
8. Reverse Pleat Orientation Available
Add "-R" to Model Number (Ex: VSC-FA-904-R)
9. Special Sizes Available

AIRGUARD ONE SOURCE FOR AIR FILTRATION PRODUCTS
 P.O. Box 32578
 Louisville, KY 40232
 P: 502-969-2304
 F: 502-961-0930

CONTACT FACTORY TO
 VERIFY REVISION LEVEL

TOLERANCES
 UNLESS OTHERWISE SPECIFIED

- FRACTIONAL -
 DECIMAL -
 ANGLES -

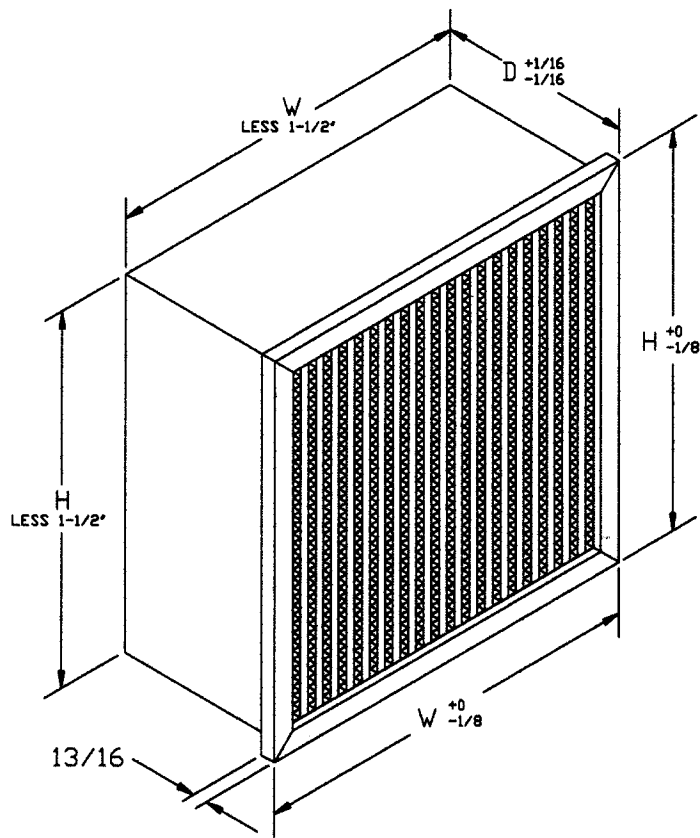
ALL DIMENSIONS IN INCHES

DRAWING NAME
VARIFLOW VSC-FA (WOOD BOX STYLE)

APPROVED BY *HCO* SPECIFICATION NO. MKT-B-00144 PAGE 1 OF 1

SCALE NONE DWG. SIZE A REVISION B REVISION DATE 07-02-04

CONFIDENTIAL - DO NOT COPY. THIS MATERIAL IS TRADE SECRET AND PROPRIETARY BEING EXCLUSIVELY OWNED BY AIRGUARD. THE EXPRESSION OF THE INFORMATION CONTAINED HEREIN IS PROTECTED UNDER FEDERAL COPYRIGHT LAWS AND ALL COPYING IS PROHIBITED AND MAY BE SUBJECT TO CRIMINAL PENALTIES.



Model Number *	Nominal Size (Inches) W x H x D	Actual Size (Inches) W x H x D	Rated Air Flow (CFM)	Initial Resistance (IN W.G.)			Media Area (Square Feet)
				90-95%	80-85%	60-65%	
VSC-FB_04	24 x 24 x 12	23-3/8 x 23-3/8 x 11-1/2	2000	.70	.60	.43	103
VSC-FB_12	20 x 25 x 12	19-3/8 x 24-3/8 x 11-1/2	1750	.70	.60	.43	88
VSC-FB_15	20 x 24 x 12	19-3/8 x 23-3/8 x 11-1/2	1650	.70	.60	.43	84
VSC-FB_13	20 x 20 x 12	19-3/8 x 19-3/8 x 11-1/2	1400	.70	.60	.43	69
VSC-FB_11	18 x 24 x 12	17-3/8 x 23-3/8 x 11-1/2	1500	.70	.60	.43	75
VSC-FB_10	16 x 25 x 12	15-3/8 x 24-3/8 x 11-1/2	1400	.70	.60	.43	69
VSC-FB_09	16 x 20 x 12	15-3/8 x 19-3/8 x 11-1/2	1100	.70	.60	.43	53
VSC-FB_03	12 x 24 x 12	11-3/8 x 23-3/8 x 11-1/2	1000	.70	.60	.43	47
VSC-FB_02	24 x 24 x 6	23-3/8 x 23-3/8 x 5-7/8	1000	.40	.38	.23	47
VSC-FB_08	20 x 25 x 6	19-3/8 x 24-3/8 x 5-7/8	875	.40	.38	.23	40
VSC-FB_16	20 x 24 x 6	19-3/8 x 23-3/8 x 5-7/8	825	.40	.38	.23	38
VSC-FB_14	20 x 20 x 6	19-3/8 x 19-3/8 x 5-7/8	700	.40	.38	.23	32
VSC-FB_07	18 x 24 x 6	17-3/8 x 23-3/8 x 5-7/8	750	.40	.38	.23	34
VSC-FB_06	16 x 25 x 6	15-3/8 x 24-3/8 x 5-7/8	700	.40	.38	.23	31
VSC-FB_05	16 x 20 x 6	15-3/8 x 19-3/8 x 5-7/8	550	.40	.38	.23	24
VSC-FB_01	12 x 24 x 6	11-3/8 x 23-3/8 x 5-7/8	500	.40	.38	.23	21

* - Insert Filter Efficiency Code (9=90-95%, 8=80-85%, 6=60-65%). Example VSC-FB-904 is 90-95%, 24x24x12 Nominal Size

STANDARD CONSTRUCTION

1. High Efficiency, Microglass Paper Media
2. Corrugated Aluminum Separators With Rolled Edges
3. Microglass Paper Wrap Around Media Pack
Latex Adhesive Sealant
4. 1/2" Particle Board Cell Sides
5. Metal Header on Air Entering Side
Single Piece U-Channel

NOTES

1. Average Efficiency, MERV (52.2)
90-95% ASHRAE 52.1-1992, MERV 14 ASHRAE 52.2-1999
80-85% ASHRAE 52.1-1992, MERV 13 ASHRAE 52.2-1999
60-65% ASHRAE 52.1-1992, MERV 11 ASHRAE 52.2-1999
2. Final Resistance: 1.5" W.G.
3. Rated Velocity 12" Deep - 500 FPM
4. Rated Velocity 6" Deep - 250 FPM
5. Class 1 Filter Per U.L. Standard 900
6. Maximum Operating Temperature: 350 deg. F
7. Optional Gasket Available
U - Upstream Gasket (Ex: VSC-FB-904-U)
D - Downstream Gasket
UD - Both Sides
8. Reverse Pleat Orientation Available
Add "-R" to Model Number (Ex: VSC-FB-904-R)
9. Optional 1-1/8" Header ("C" Header) Available
Add "-C" Onto The Model Number (Ex: VSC-FB-904-C)
10. Special Sizes Available



ONE SOURCE
FOR
AIR FILTRATION
PRODUCTS

P.O. Box 32578
Louisville, KY 40232
P: 502-969-2304
F: 502-961-0930

CONTACT FACTORY TO
VERIFY REVISION LEVEL

TOLERANCES UNLESS OTHERWISE SPECIFIED

FRACTIONAL -
DECIMAL -
ANGLES -

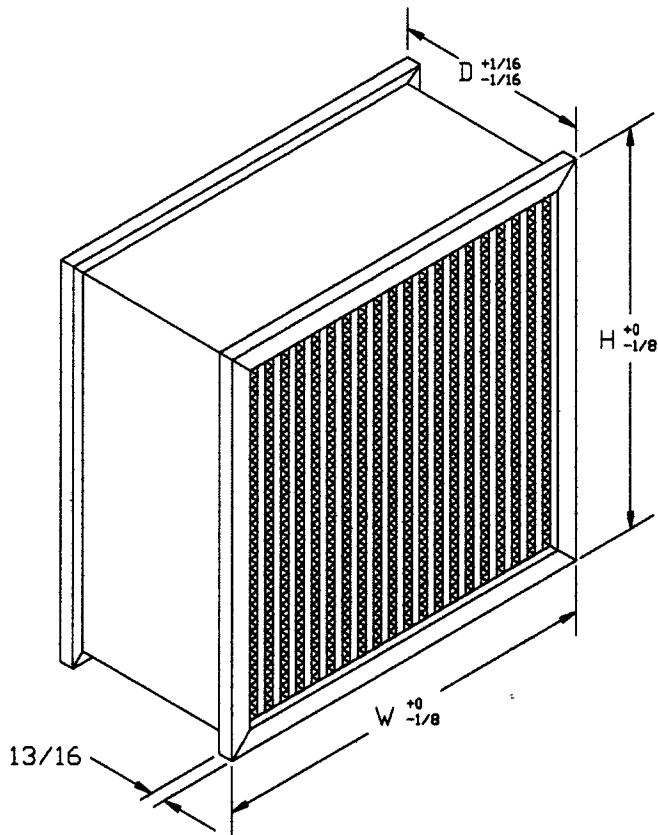
ALL DIMENSIONS IN INCHES

DRAWING NAME

VARIFLOW VSC-FB (WOOD SINGLE HEADER)

APPROVED BY <i>K. Oum</i>	SPECIFICATION NO. MKT-B-00145	PAGE 1 OF 1
SCALE NONE	DWG. SIZE A	REVISION B
		REVISION DATE 07-02-04

CONFIDENTIAL - DO NOT COPY. THIS MATERIAL IS TRADE SECRET AND PROPRIETARY BEING EXCLUSIVELY OWNED BY AIRGUARD. THE EXPRESSION OF THE INFORMATION CONTAINED HEREIN IS PROTECTED UNDER FEDERAL COPYRIGHT LAWS AND ALL COPYING IS PROHIBITED AND MAY BE SUBJECT TO CRIMINAL PENALTIES.



Model Number *	Nominal Size (Inches) W x H x D	Actual Size (Inches) W x H x D	Rated Air Flow (CFM)	Initial Resistance (IN W.G.)			Media Area (Square Feet)
				90-95%	80-85%	60-65%	
VSC-FC_04	24 x 24 x 12	23-3/8 x 23-3/8 x 11-1/2	2000	.70	.60	.43	103
VSC-FC_12	20 x 25 x 12	19-3/8 x 24-3/8 x 11-1/2	1750	.70	.60	.43	88
VSC-FC_15	20 x 24 x 12	19-3/8 x 23-3/8 x 11-1/2	1650	.70	.60	.43	84
VSC-FC_13	20 x 20 x 12	19-3/8 x 19-3/8 x 11-1/2	1400	.70	.60	.43	69
VSC-FC_11	18 x 24 x 12	17-3/8 x 23-3/8 x 11-1/2	1500	.70	.60	.43	75
VSC-FC_10	16 x 25 x 12	15-3/8 x 24-3/8 x 11-1/2	1400	.70	.60	.43	69
VSC-FC_09	16 x 20 x 12	15-3/8 x 19-3/8 x 11-1/2	1100	.70	.60	.43	53
VSC-FC_03	12 x 24 x 12	11-3/8 x 23-3/8 x 11-1/2	1000	.70	.60	.43	47
VSC-FC_02	24 x 24 x 6	23-3/8 x 23-3/8 x 5-7/8	1000	.40	.38	.23	47
VSC-FC_08	20 x 25 x 6	19-3/8 x 24-3/8 x 5-7/8	875	.40	.38	.23	40
VSC-FC_16	20 x 24 x 6	19-3/8 x 23-3/8 x 5-7/8	825	.40	.38	.23	38
VSC-FC_14	20 x 20 x 6	19-3/8 x 19-3/8 x 5-7/8	700	.40	.38	.23	32
VSC-FC_07	18 x 24 x 6	17-3/8 x 23-3/8 x 5-7/8	750	.40	.38	.23	34
VSC-FC_06	16 x 25 x 6	15-3/8 x 24-3/8 x 5-7/8	700	.40	.38	.23	31
VSC-FC_05	16 x 20 x 6	15-3/8 x 19-3/8 x 5-7/8	550	.40	.38	.23	24
VSC-FC_01	12 x 24 x 6	11-3/8 x 23-3/8 x 5-7/8	500	.40	.38	.23	21

* - Insert Filter Efficiency Code (9=90-95%, 8=80-85%, 6=60-65%), Example VSC-FC-904 is 90-95%, 24x24x12 Nominal Size

STANDARD CONSTRUCTION

1. High Efficiency, Microglass Paper Media
2. Corrugated Aluminum Separators With Rolled Edges
3. Microglass Paper Wrap Around Media Pack Latex Adhesive Sealant
4. 1/2" Particle Board Cell Sides
5. Header on Both Side: Single Piece U-Channel

NOTES

1. Average Efficiency, MERV (52.2)
90-95% ASHRAE 52.1-1992, MERV 14 ASHRAE 52.2-1999
80-85% ASHRAE 52.1-1992, MERV 13 ASHRAE 52.2-1999
60-65% ASHRAE 52.1-1992, MERV 11 ASHRAE 52.2-1999
2. Final Resistance: 1.5" W.G.
3. Rated Velocity 12" Deep - 500 FPM
4. Rated Velocity 6" Deep - 250 FPM
5. Class 2 Filter Per U.L. Standard 900
6. Maximum Operating Temperature: 200 deg. F
7. Optional Gasket Available
U - Upstream Gasket (Ex: VSC-FC-904-U)
D - Downstream Gasket
UD- Both Sides
8. Reverse Pleat Orientation Available
Add "-R" to Model Number (Ex: VSC-FC-904-R)
9. Special Sizes Available



ONE SOURCE
FOR
AIR FILTRATION
PRODUCTS
P.O. Box 32578
Louisville, KY 40232
P: 502-969-2304
F: 502-961-0930

CONTACT FACTORY TO
VERIFY REVISION LEVEL

TOLERANCES
UNLESS OTHERWISE SPECIFIED

FRACTIONAL
DECIMAL
ANGLES

ALL DIMENSIONS IN INCHES

DRAWING NAME

VARIFLOW VSC-FC (WOOD DOUBLE HEADER)

APPROVED BY

K. O...

SPECIFICATION NO.

MKT-B-00146

PAGE

1 OF 1

SCALE

NONE

DWG SIZE

A

REVISION

B

REVISION DATE

07-02-04

CONFIDENTIAL - DO NOT COPY. THIS MATERIAL IS TRADE SECRET AND PROPRIETARY BEING EXCLUSIVELY OWNED BY AIRGUARD. THE EXPRESSION OF THE INFORMATION CONTAINED HEREIN IS PROTECTED UNDER FEDERAL COPYRIGHT LAWS AND ALL COPYING IS PROHIBITED AND MAY BE SUBJECT TO CRIMINAL PENALTIES.