

Model Number *	Nominal Size (Inches) W x H x D	Actual Size (Inches) W x H x D	Rated Air Flow (CFM)	Initial Resistance (IN W.G.)			Media Area (Square Feet)
				90-95%	80-85%	60-65%	
VSC-MA_04	24 x 24 x 12	23-3/8 x 23-3/8 x 11-1/2	2000	.70	.60	.43	121
VSC-MA_12	20 x 25 x 12	19-3/8 x 24-3/8 x 11-1/2	1750	.70	.60	.43	105
VSC-MA_15	20 x 24 x 12	19-3/8 x 23-3/8 x 11-1/2	1650	.70	.60	.43	101
VSC-MA_13	20 x 20 x 12	19-3/8 x 19-3/8 x 11-1/2	1400	.70	.60	.43	83
VSC-MA_11	18 x 24 x 12	17-3/8 x 23-3/8 x 11-1/2	1500	.70	.60	.43	91
VSC-MA_10	16 x 25 x 12	15-3/8 x 24-3/8 x 11-1/2	1400	.70	.60	.43	84
VSC-MA_09	16 x 20 x 12	15-3/8 x 19-3/8 x 11-1/2	1100	.70	.60	.43	67
VSC-MA_03	12 x 24 x 12	11-3/8 x 23-3/8 x 11-1/2	1000	.70	.60	.43	57
VSC-MA_02	24 x 24 x 6	23-3/8 x 23-3/8 x 5-7/8	1000	.40	.38	.23	55
VSC-MA_08	20 x 25 x 6	19-3/8 x 24-3/8 x 5-7/8	875	.40	.38	.23	48
VSC-MA_16	20 x 24 x 6	19-3/8 x 23-3/8 x 5-7/8	825	.40	.38	.23	46
VSC-MA_14	20 x 20 x 6	19-3/8 x 19-3/8 x 5-7/8	700	.40	.38	.23	38
VSC-MA_07	18 x 24 x 6	17-3/8 x 23-3/8 x 5-7/8	750	.40	.38	.23	42
VSC-MA_06	16 x 25 x 6	15-3/8 x 24-3/8 x 5-7/8	700	.40	.38	.23	38
VSC-MA_05	16 x 20 x 6	15-3/8 x 19-3/8 x 5-7/8	550	.40	.38	.23	31
VSC-MA_01	12 x 24 x 6	11-3/8 x 23-3/8 x 5-7/8	500	.40	.38	.23	26

\* - Insert Filter Efficiency Code (9 = 90-95%, 8 = 80-85%, 6 = 60-65%). Example VSC-MA-904 is 90-95%, 24x24x12 Nominal Size

#### STANDARD CONSTRUCTION

1. High Efficiency, Microglass Paper Media
2. Corrugated Aluminum Separators With Rolled Edges
3. High Loft Microglass Wrap Around Media Pack
4. 24 Gauge Galvanized Steel Cell Sides
5. Expanded Metal Grid on Air Leaving Side
6. (4) Retainer Holes for Spring Latches

#### NOTES

1. Average Efficiency, MERV (52.2)  
90-95% ASHRAE 52.1-1992, MERV 14 ASHRAE 52.2-1999  
80-85% ASHRAE 52.1-1992, MERV 13 ASHRAE 52.2-1999  
60-65% ASHRAE 52.1-1992, MERV 11 ASHRAE 52.2-1999
2. Final Resistance: 1.5" W.G.
3. Rated Velocity 12" Deep - 500 FPM
4. Rated Velocity 6" Deep - 250 FPM
5. Class 1 Filter Per U.L. Standard 900
6. Maximum Operating Temperature: 350 deg. F
7. Optional Gasket Available  
U - Upstream Gasket (Ex: VSC-MA-904-U)  
D - Downstream Gasket  
UD- Both Sides
8. Reverse Pleat Orientation Available  
Add "-R" to Model Number (Ex: VSC-MA-904-R)
9. Special Sizes Available

**AIRGUARD** ONE SOURCE FOR AIR FILTRATION PRODUCTS  
 P.O. Box 32578  
 Louisville, KY 40232  
 Ph: 502-969-2304  
 Fx: 502-961-0930

CONTACT FACTORY TO  
 VERIFY REVISION LEVEL

#### TOLERANCES UNLESS OTHERWISE SPECIFIED

FRACTIONAL --  
 DECIMAL --  
 ANGLES --

ALL DIMENSIONS IN INCHES

DRAWING NAME

**VARIFLOW VSC-MA (METAL BOX STYLE)**

APPROVED BY

*H. Owen*

SPECIFICATION NO.

MKT-B-00141

PAGE

1 OF 1

SCALE

NONE

DWG. SIZE

A

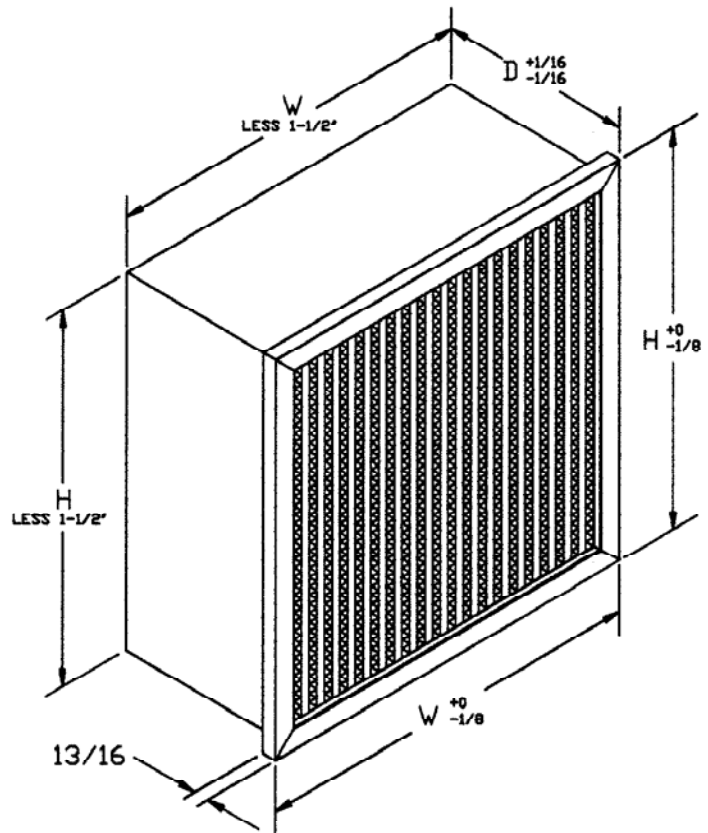
REVISION

C

REVISION DATE

01-11-05

CONFIDENTIAL - DO NOT COPY. THIS MATERIAL IS TRADE SECRET AND PROPRIETARY BEING EXCLUSIVELY OWNED BY AIRGUARD. THE EXPRESSION OF THE INFORMATION CONTAINED HEREIN IS PROTECTED UNDER FEDERAL COPYRIGHT LAWS AND ALL COPYING IS PROHIBITED AND MAY BE SUBJECT TO CRIMINAL PENALTIES.



Model Number *	Nominal Size (Inches) W x H x D	Actual Size (Inches) W x H x D	Rated Air Flow (CFM)	Initial Resistance (IN W.G.)			Media Area (Square Feet)
				90-95%	80-85%	60-65%	
VSC-MB_04	24 x 24 x 12	23-3/8 x 23-3/8 x 11-1/2	2000	.70	.60	.43	103
VSC-MB_12	20 x 25 x 12	19-3/8 x 24-3/8 x 11-1/2	1750	.70	.60	.43	88
VSC-MB_15	20 x 24 x 12	19-3/8 x 23-3/8 x 11-1/2	1650	.70	.60	.43	84
VSC-MB_13	20 x 20 x 12	19-3/8 x 19-3/8 x 11-1/2	1400	.70	.60	.43	69
VSC-MB_11	18 x 24 x 12	17-3/8 x 23-3/8 x 11-1/2	1500	.70	.60	.43	75
VSC-MB_10	16 x 25 x 12	15-3/8 x 24-3/8 x 11-1/2	1400	.70	.60	.43	69
VSC-MB_09	16 x 20 x 12	15-3/8 x 19-3/8 x 11-1/2	1100	.70	.60	.43	53
VSC-MB_03	12 x 24 x 12	11-3/8 x 23-3/8 x 11-1/2	1000	.70	.60	.43	47
VSC-MB_02	24 x 24 x 6	23-3/8 x 23-3/8 x 5-7/8	1000	.40	.38	.23	47
VSC-MB_08	20 x 25 x 6	19-3/8 x 24-3/8 x 5-7/8	875	.40	.38	.23	40
VSC-MB_16	20 x 24 x 6	19-3/8 x 23-3/8 x 5-7/8	825	.40	.38	.23	38
VSC-MB_14	20 x 20 x 6	19-3/8 x 19-3/8 x 5-7/8	700	.40	.38	.23	32
VSC-MB_07	18 x 24 x 6	17-3/8 x 23-3/8 x 5-7/8	750	.40	.38	.23	34
VSC-MB_06	16 x 25 x 6	15-3/8 x 24-3/8 x 5-7/8	700	.40	.38	.23	31
VSC-MB_05	16 x 20 x 6	15-3/8 x 19-3/8 x 5-7/8	550	.40	.38	.23	24
VSC-MB_01	12 x 24 x 6	11-3/8 x 23-3/8 x 5-7/8	500	.40	.38	.23	21

\* - Insert Filter Efficiency Code (9 = 90-95%, 8 = 80-85%, 6 = 60-65%). Example VSC-MB-904 is 90-95%, 24x24x12 Nominal Size

**STANDARD CONSTRUCTION**

1. High Efficiency, Microglass Paper Media
2. Corrugated Aluminum Separators With Rolled Edges
3. High Loft Microglass Wrap Around Media Pack
4. 24 Gauge Galvanized Steel Cell Sides
5. Header on Air Entering Side: Single Piece U-Channel
6. Expanded Metal Grid on Air Leaving Side

**NOTES**

1. Average Efficiency, MERV (52.2)  
90-95% ASHRAE 52.1-1992, MERV 14 ASHRAE 52.2-1999  
80-85% ASHRAE 52.1-1992, MERV 13 ASHRAE 52.2-1999  
60-65% ASHRAE 52.1-1992, MERV 11 ASHRAE 52.2-1999
2. Final Resistance: 1.5" W.G.
3. Rated Velocity 12" Deep - 500 FPM
4. Rated Velocity 6" Deep - 250 FPM
5. Class 1 Filter Per U.L. Standard 900
6. Maximum Operating Temperature: 350 deg. F
7. Optional Gasket Available  
U - Upstream Gasket (Ex: VSC-MB-904-U)  
D - Downstream Gasket  
UD- Both Sides
8. Reverse Pleat Orientation Available  
Add "-R" to Model Number (Ex: VSC-MB-904-R)
9. Optional 1-1/8" Header ("C" Header) Available  
Add "-C" Onto The Model Number (Ex: VSC-MB-904-C)
10. Special Sizes Available

**ANGULAR** ONE SOURCE FOR AIR FILTRATION PRODUCTS  
 P.O. Box 32578  
 Louisville, KY 40232  
 P: 502-969-2304  
 F: 502-961-0930

CONTACT FACTORY TO VERIFY REVISION LEVEL

**TOLERANCES**  
UNLESS OTHERWISE SPECIFIED

FRACTIONAL	-
DECIMAL	-
ANGLES	-

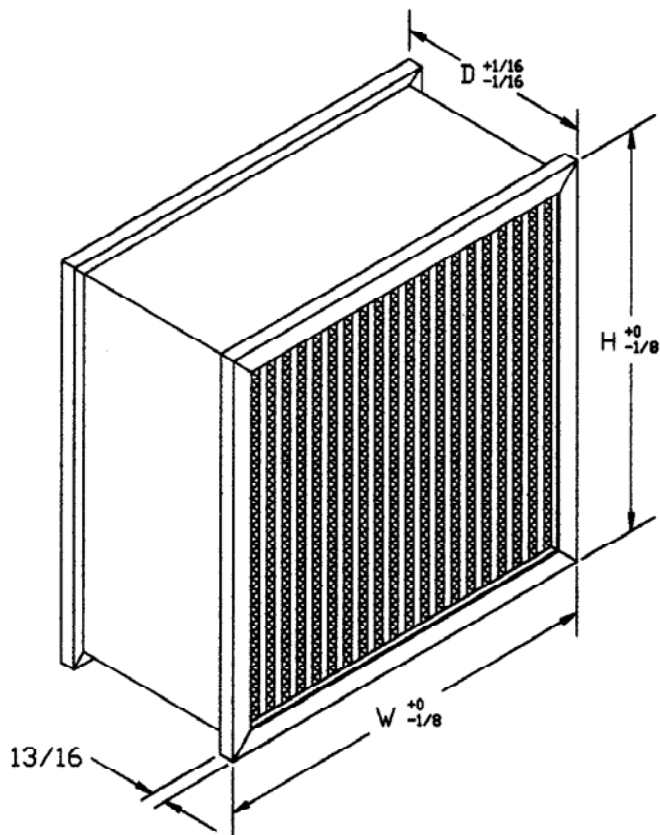
ALL DIMENSIONS IN INCHES

DRAWING NAME  
**VARIFLOW VSC-MB (METAL SINGLE HEADER)**

APPROVED BY *K.C.M.* SPECIFICATION NO. MKT-B-00142 PAGE 1 OF 1

SCALE NONE DVG. SIZE A REVISION B REVISION DATE 07-02-04

CONFIDENTIAL - DO NOT COPY. THIS MATERIAL IS TRADE SECRET AND PROPRIETARY BEING EXCLUSIVELY OWNED BY ANGULAR. THE EXPRESSION OF THE INFORMATION CONTAINED HEREIN IS PROTECTED UNDER FEDERAL COPYRIGHT LAWS AND ALL COPYING IS PROHIBITED AND MAY BE SUBJECT TO CRIMINAL PENALTIES.



Model Number *	Nominal Size (Inches) W x H x D	Actual Size (Inches) W x H x D	Rated Air Flow (CFM)	Initial Resistance (IN W.G.)			Media Area (Square Feet)
				90-95%	80-85%	60-65%	
VSC-MC_04	24 x 24 x 12	23-3/8 x 23-3/8 x 11-1/2	2000	.70	.60	.43	103
VSC-MC_12	20 x 25 x 12	19-3/8 x 24-3/8 x 11-1/2	1750	.70	.60	.43	88
VSC-MC_15	20 x 24 x 12	19-3/8 x 23-3/8 x 11-1/2	1650	.70	.60	.43	84
VSC-MC_13	20 x 20 x 12	19-3/8 x 19-3/8 x 11-1/2	1400	.70	.60	.43	69
VSC-MC_11	18 x 24 x 12	17-3/8 x 23-3/8 x 11-1/2	1500	.70	.60	.43	75
VSC-MC_10	16 x 25 x 12	15-3/8 x 24-3/8 x 11-1/2	1400	.70	.60	.43	69
VSC-MC_09	16 x 20 x 12	15-3/8 x 19-3/8 x 11-1/2	1100	.70	.60	.43	53
VSC-MC_03	12 x 24 x 12	11-3/8 x 23-3/8 x 11-1/2	1000	.70	.60	.43	47
VSC-MC_02	24 x 24 x 6	23-3/8 x 23-3/8 x 5-7/8	1000	.40	.38	.23	47
VSC-MC_08	20 x 25 x 6	19-3/8 x 24-3/8 x 5-7/8	875	.40	.38	.23	40
VSC-MC_16	20 x 24 x 6	19-3/8 x 23-3/8 x 5-7/8	825	.40	.38	.23	38
VSC-MC_14	20 x 20 x 6	19-3/8 x 19-3/8 x 5-7/8	700	.40	.38	.23	32
VSC-MC_07	18 x 24 x 6	17-3/8 x 23-3/8 x 5-7/8	750	.40	.38	.23	34
VSC-MC_06	16 x 25 x 6	15-3/8 x 24-3/8 x 5-7/8	700	.40	.38	.23	31
VSC-MC_05	16 x 20 x 6	15-3/8 x 19-3/8 x 5-7/8	550	.40	.38	.23	24
VSC-MC_01	12 x 24 x 6	11-3/8 x 23-3/8 x 5-7/8	500	.40	.38	.23	21

\* - Insert Filter Efficiency Code (9 = 90-95%, 8 = 80-85%, 6 = 60-65%). Example VSC-MC-904 is 90-95%, 24x24x12 Nominal Size

#### STANDARD CONSTRUCTION

1. High Efficiency, Microglass Paper Media
2. Corrugated Aluminum Separators With Rolled Edges
3. High Loft Microglass Wrap Around Media Pack
4. 24 Gauge Galvanized Steel Cell Sides
5. Header on Both Side: Single Piece U-Channel
6. Expanded Metal Grid on Air Leaving Side

#### NOTES

1. Average Efficiency, MERV (52.2)  
90-95% ASHRAE 52.1-1992, MERV 14 ASHRAE 52.2-1999  
80-85% ASHRAE 52.1-1992, MERV 13 ASHRAE 52.2-1999  
60-65% ASHRAE 52.1-1992, MERV 11 ASHRAE 52.2-1999
2. Final Resistance: 1.5" W.G.
3. Rated Velocity 12" Deep - 500 FPM
4. Rated Velocity 6" Deep - 250 FPM
5. Class 1 Filter Per U.L. Standard 900
6. Maximum Operating Temperature: 350 deg. F
7. Optional Gasket Available  
U - Upstream Gasket (Ex: VSC-MC-904-U)  
D - Downstream Gasket  
UD- Both Sides
8. Reverse Pleat Orientation Available  
Add "-R" to Model Number (Ex: VSC-MC-904-R)
9. Special Sizes Available



ONE SOURCE  
FOR  
AIR FILTRATION  
PRODUCTS  
P.O. Box 32578  
Louisville, KY 40232  
Ph 502-969-2304  
Ft 502-961-0930

CONTACT FACTORY TO  
VERIFY REVISION LEVEL

#### TOLERANCES UNLESS OTHERWISE SPECIFIED

FRACTIONAL -  
DECIMAL -  
ANGLES -

ALL DIMENSIONS IN INCHES

#### DRAWING NAME

VARIFLOW VSC-MC (METAL DOUBLE HEADER)

APPROVED BY <i>K. Quinn</i>	SPECIFICATION NO. MKT-B-00143	PAGE 1 OF 1
SCALE NONE	DWG. SIZE A	REVISION B
		REVISION DATE 07-02-04

CONFIDENTIAL - DO NOT COPY. THIS MATERIAL IS TRADE SECRET AND PROPRIETARY BEING EXCLUSIVELY OWNED BY AIRGUARD. THE EXPRESSION OF THE INFORMATION CONTAINED HEREIN IS PROTECTED UNDER FEDERAL COPYRIGHT LAWS AND ALL COPYING IS PROHIBITED AND MAY BE SUBJECT TO CRIMINAL PENALTIES.