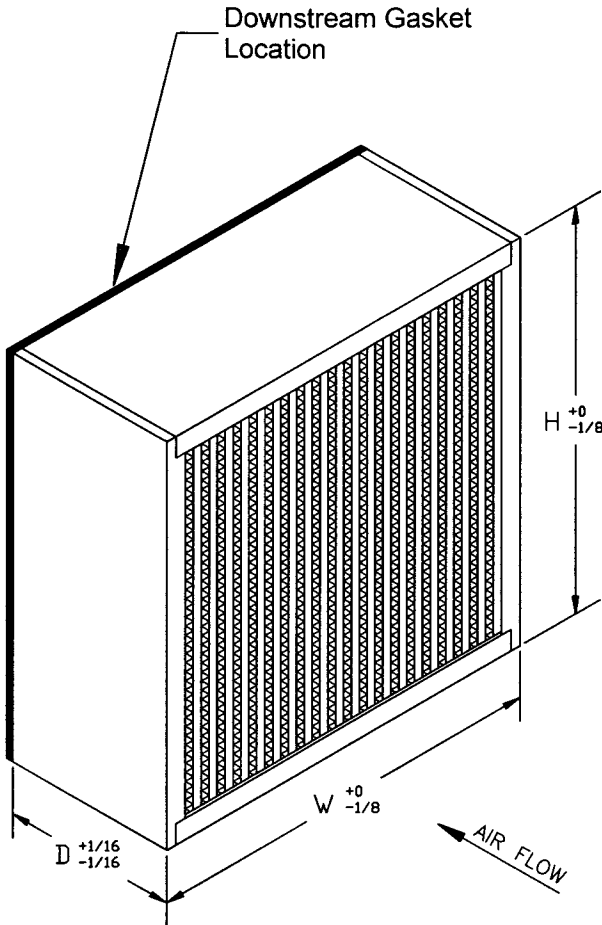
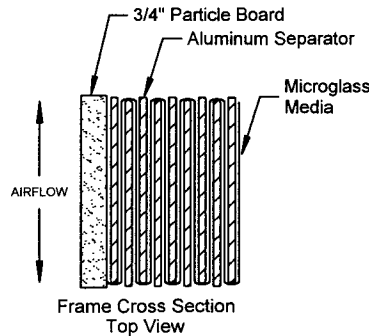


Item Number	Model Number	Construction Code	Actual Size (Inches) H x W x D	Rated Air Flow (CFM)	Initial Resistance (In. W.G.)	Efficiency	Media Area (Square Feet)
2594699	M2000-501-XL	H2424B00-000 000 04F	24 x 24 x 11-1/2	2000	2.00	99.999% @ 0.3 Micron	286
2598787	M2000-501A-XL	H2323B33-000 000 04F	23-3/8 x 23-3/8 x 11-1/2	1890	2.00	99.999% @ 0.3 Micron	271
	M2000-500-XL	H1224B00-000 000 04F	12 x 24 x 11-1/2	1000	2.00	99.999% @ 0.3 Micron	133
	M2000-500A-XL	H1123B33-000 000 04F	11-3/8 x 23-3/8 x 11-1/2	924	2.00	99.999% @ 0.3 Micron	122
	M2000-500R-XL	H2412B00-000 000 04F	24 x 12 x 11-1/2	1000	2.00	99.999% @ 0.3 Micron	133
	M2000-500AR-XL	H2311B33-000 000 04F	23-3/8 x 11-3/8 x 11-1/2	924	2.00	99.999% @ 0.3 Micron	122
	M2000-502-XL	H2430B00-000 000 04F	24 x 30 x 11-1/2	2750	2.00	99.999% @ 0.3 Micron	362
	M2000-502R-XL	H3024B00-000 000 04F	30 x 24 x 11-1/2	2750	2.00	99.999% @ 0.3 Micron	362
	M2000-241-XL	H2424A00-000 000 04F	24 x 24 x 5-7/8	1000	2.00	99.999% @ 0.3 Micron	149
	M2000-241A-XL	H2323A33-000 000 04F	23-3/8 x 23-3/8 x 5-7/8	950	2.00	99.999% @ 0.3 Micron	142
	M2000-1202-XL	H1224A00-000 000 04F	12 x 24 x 5-7/8	500	2.00	99.999% @ 0.3 Micron	70
	M2000-1202A-XL	H1123A33-000 000 04F	11-3/8 x 23-3/8 x 5-7/8	462	2.00	99.999% @ 0.3 Micron	64
	M2000-1212-XL	H2412A00-000 000 04F	24 x 12 x 5-7/8	500	2.00	99.999% @ 0.3 Micron	70
	M2000-1212A-XL	H2311A33-000 000 04F	23-3/8 x 11-3/8 x 5-7/8	462	2.00	99.999% @ 0.3 Micron	64



Construction	Code	Description
Standard and Certification	0	HEPA-IEST-RP-CC001.3 per MIL-STD 282
Frame Material	0	16 GA Corrosion Resistant Steel
Frame Style	0	Metal C-Style
Gasket	0	SCE 43 Neoprene 1/4" x 3/4" (180 deg. F), Dovetail Joints
Gasket Location	0	Downstream
Sealant	0	Urethane (180 deg. F)
Hardware	0	None
Acceptance Level	4	99.999% on 0.3 Micron Scanned (Leak Tested)
Separators	F	Aluminum Separators, High Capacity



NOTES

- Media: Micro-Glass Fiber / Acrylic Resin Binder
- Rated Velocity
11-1/2" Depth - 500 FPM
5-7/8" Depth - 250 FPM
- See Drawings MKT-B-00362 & MKT-B-00363 For Resistance Curves
- Recommended Final Resistance: 4.0" W.G. @ Rated Flow (Twice Initial Resistance)
- Class 2 Filter Per U.L Standard 900
- Maximum Operating Temperature: 180 Deg. F
- Standard Gasket Location Downstream, Construction Code 000 000 04F
- Optional Gasket Locations (Do NOT Use Item Numbers Shown Above)
-U: Upstream Sides (Ex. M2000-501-XL-U), Construction Code 000 110 04F
-UD: Both Sides (Ex. M2000-501-XL-UD), Construction Code 000 130 04F
No Gasket (Ex. M2000-501-XL, No Gasket), Construction Code 000 750 04F



ONE SOURCE
FOR
AIR FILTRATION
PRODUCTS

P.O. Box 32578
Louisville, KY 40232
P: 502-969-2304
F: 502-969-2759

CONTACT FACTORY TO
VERIFY REVISION LEVEL

**TOLERANCES
UNLESS OTHERWISE SPECIFIED**

FRACTIONAL -
DECIMAL -
ANGLES -

ALL DIMENSIONS IN INCHES

DRAWING NAME

**MICROGUARD 2000
(WOOD BOX - 99.999%)**

APPROVED BY

K. Quinn

SPECIFICATION NO.

MKT-B-00385

PAGE

1 OF 1

SCALE

NONE

DWG. SIZE

A

REVISION

NEW

REVISION DATE

12-09-02

CONFIDENTIAL - DO NOT COPY. THIS MATERIAL IS TRADE SECRET AND PROPRIETARY BEING EXCLUSIVELY OWNED BY AIRGUARD. THE EXPRESSION OF THE INFORMATION CONTAINED HEREIN IS PROTECTED UNDER FEDERAL COPYRIGHT LAWS AND ALL COPYING IS PROHIBITED AND MAY BE SUBJECT TO CRIMINAL PENALTIES.