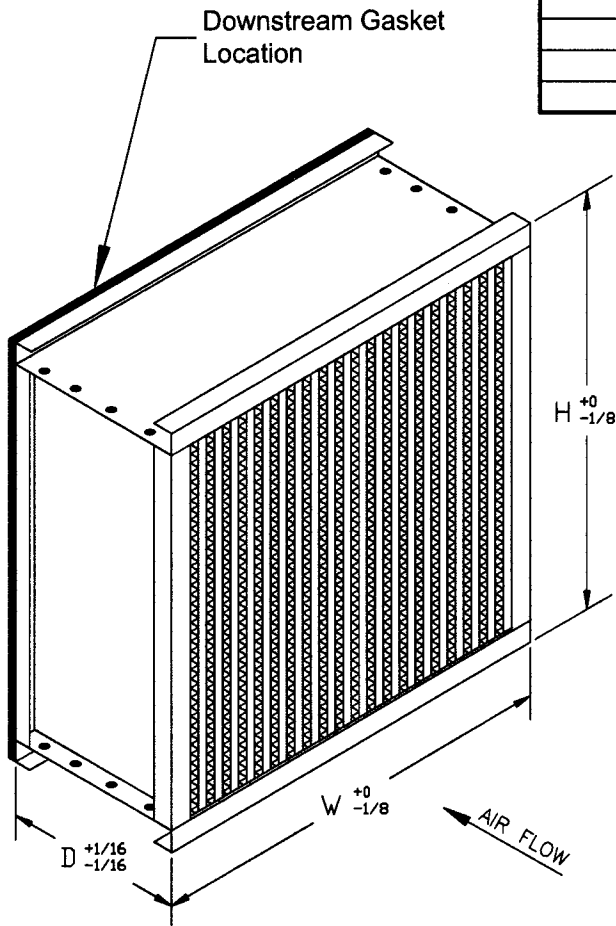
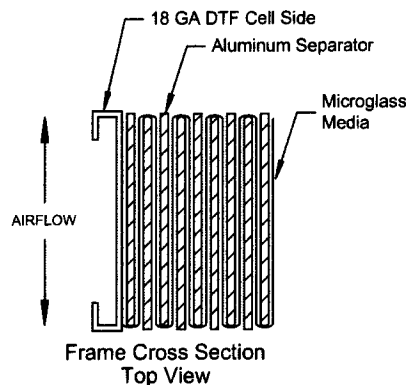


Item Number	Model Number	Construction Code	Actual Size (Inches) H x W x D	Rated Air Flow (CFM)	Initial Resistance (In. W.G.)	Efficiency	Media Area (Square Feet)
2970258	MC-501-DTF	H2424B00-0BB 000 000	24 x 24 x 11-1/2	1050	1.00	99.97% @ 0.3 Micron	185
2970280	MC-501A-DTF	H2323B33-0BB 000 000	23-3/8 x 23-3/8 x 11-1/2	1000	1.00	99.97% @ 0.3 Micron	173
2979129	MC-500-DTF	H1224B00-0BB 000 000	12 x 24 x 11-1/2	525	1.00	99.97% @ 0.3 Micron	88
2972252	MC-500A-DTF	H1123B33-0BB 000 000	11-3/8 x 23-3/8 x 11-1/2	500	1.00	99.97% @ 0.3 Micron	79
2975712	MC-500R-DTF	H2412B00-0BB 000 000	24 x 12 x 11-1/2	525	1.00	99.97% @ 0.3 Micron	88
	MC-500AR-DTF	H2311B33-0BB 000 000	23-3/8 x 11-3/8 x 11-1/2	500	1.00	99.97% @ 0.3 Micron	79
2978254	MC-241-DTF	H2424A00-0BB 000 000	24 x 24 x 5-7/8	550	1.00	99.97% @ 0.3 Micron	97
	MC-241A-DTF	H2323A33-0BB 000 000	23-3/8 x 23-3/8 x 5-7/8	520	1.00	99.97% @ 0.3 Micron	91
	MC-1202-DTF	H1224A00-0BB 000 000	12 x 24 x 5-7/8	275	1.00	99.97% @ 0.3 Micron	45
	MC-1202A-DTF	H1123A33-0BB 000 000	11-3/8 x 23-3/8 x 5-7/8	260	1.00	99.97% @ 0.3 Micron	42
	MC-1202R-DTF	H2412A00-0BB 000 000	24 x 12 x 5-7/8	275	1.00	99.97% @ 0.3 Micron	45
	MC-1202AR-DTF	H2311A33-0BB 000 000	23-3/8 x 11-3/8 x 5-7/8	260	1.00	99.97% @ 0.3 Micron	42



Construction	Code	Description
Standard and Certification	0	HEPA-TEST-RP-CC001.3, Type A per MIL-STD 282
Frame Material	B	18 GA Corrosion Resistant Steel
Frame Style	B	Double Turned Flange (DTF)
Gasket	0	SCE 43 Neoprene 1/4" x 3/4" (180 deg. F), Dovetail Joints
Gasket Location	0	Downstream
Sealant	0	Urethane (180 deg. F)
Hardware	0	None
Acceptance Level	0	99.97% on 0.3 Micron Overall (Q-107 Tested) IEST Type A
Separators	0	Aluminum Separators, Standard Capacity



NOTES

- Media: Micro-Glass Fiber / Acrylic Resin Binder
- Rated Velocity
11-1/2" Depth - 250 FPM
5-7/8" Depth - 125 FPM
- See Drawings MKT-B-00354 & MKT-B-00355 For Resistance Curves
- Recommended Final Resistance: 2.0" W.G. @ Rated Flow (Twice Initial Resistance)
- Class 1 Filter Per U.L Standard 900
- Maximum Operating Temperature: 180 Deg. F
- Standard Gasket Location Downstream, Construction Code 0BB 000 000
- Optional Gasket Locations (Do NOT Use Item Numbers Shown Above)
-U: Upstream Side (Ex. MC-501-DTF-U), Construction Code 0BB 110 000
-UD: Both Sides (Ex. MC-501-DTF-UD), Construction Code 0BB 130 000
No Gasket (Ex. MC-501-DTF, No Gasket), Construction Code 0BB 750 000

ONE SOURCE
FOR
AIR FILTRATION
PRODUCTS

P.O. Box 32578
Louisville, KY 40232
Ph 502-969-2304
F: 502-969-2759

CONTACT FACTORY TO
VERIFY REVISION LEVEL

TOLERANCES
UNLESS OTHERWISE SPECIFIED

FRACTIONAL	-
DECIMAL	-
ANGLES	-

ALL DIMENSIONS IN INCHES

DRAWING NAME			
MICROGUARD 99 (DOUBLE TURNED FLANGE - 99.97%)			
APPROVED BY	SPECIFICATION NO.	PAGE	
<i>R. C. [Signature]</i>	MKT-B-00376	1 OF 1	
SCALE	DWG. SIZE	REVISION	REVISION DATE
NONE	A	A	10-06-03
CONFIDENTIAL - DO NOT COPY. THIS MATERIAL IS TRADE SECRET AND PROPRIETARY BEING EXCLUSIVELY OWNED BY AIRGUARD. THE EXPRESSION OF THE INFORMATION CONTAINED HEREIN IS PROTECTED UNDER FEDERAL COPYRIGHT LAWS AND ALL COPYING IS PROHIBITED AND MAY BE SUBJECT TO CRIMINAL PENALTIES.			