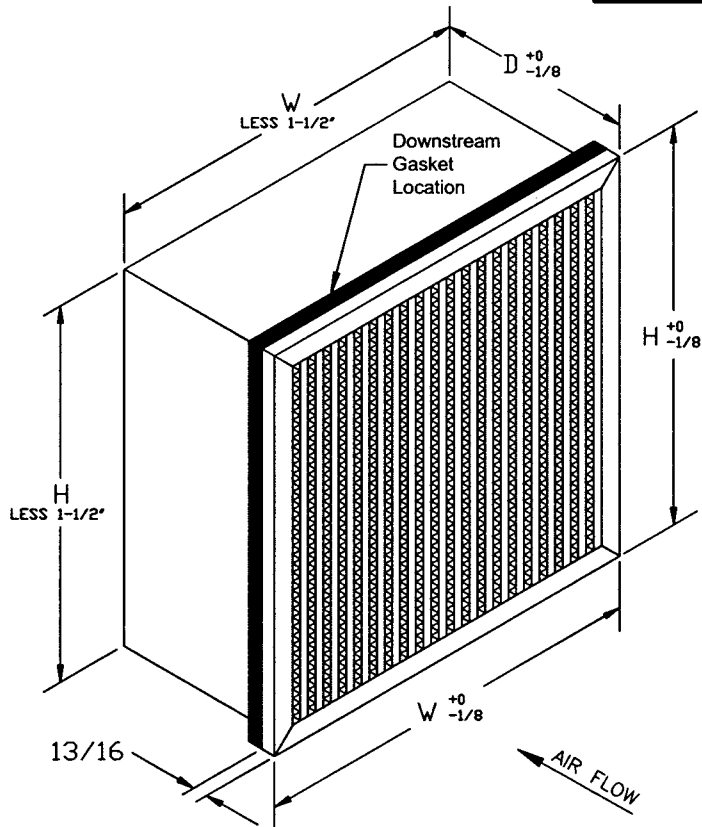
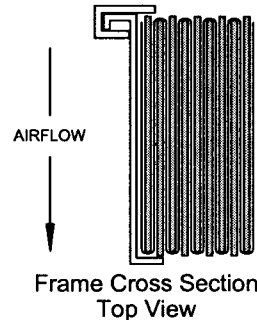


Item Number	Model Number	Construction Code	Actual Size (Inches) H x W x D	Rated Air Flow (CFM)	Initial Resistance (In. W.G.)	Efficiency	Media Area (Square Feet)
2954563	MDL-501-MH	M2424B00-0EA 120 300	24 x 24 x 11-1/2	2000	1.00	95% @ 0.3 Micron	201
2951787	MDL-501A-MH	M2323B33-0AG 120 300	23-3/8 x 23-3/8 x 11-1/2	1900	1.00	95% @ 0.3 Micron	187
2955267	MDL-1219-MH	M2420B00-0EA 120 300	24 x 20 x 11-1/2	1600	1.00	95% @ 0.3 Micron	161
2954463	MDL-1219A-MH	M2319B33-0EA 120 300	23-3/8 x 19-3/8 x 11-1/2	1510	1.00	95% @ 0.3 Micron	156
2953014	MDL-500-MH	M1224B00-0EA 120 300	12 x 24 x 11-1/2	1000	1.00	95% @ 0.3 Micron	92
	MDL-500A-MH	M1123B33-0EA 120 300	11-3/8 x 23-3/8 x 11-1/2	946	1.00	95% @ 0.3 Micron	84
	MDL-500R-MH	M2412B00-0EA 120 300	24 x 12 x 11-1/2	1000	1.00	95% @ 0.3 Micron	92
2955130	MDL-500AR-MH	M2311B33-0EA 120 300	23-3/8 x 11-3/8 x 11-1/2	946	1.00	95% @ 0.3 Micron	84
2955338	MDL-241-MH	M2424A00-0EA 120 300	24 x 24 x 5-7/8	1530	1.00	95% @ 0.3 Micron	105
2954711	MDL-241A-MH	M2323A33-0BA 120 300	23-3/8 x 23-3/8 x 5-7/8	1440	1.00	95% @ 0.3 Micron	95
2954520	MDL-1212A-MH	M2311A33-0EA 120 300	23-3/8 x 11-3/8 x 5-7/8	625	1.00	95% @ 0.3 Micron	31



Construction	Code	Description
Standard and Certification	0	None
Frame Material	E	24 GA Corrosion Resistant Steel
Frame Style	A	Single Header (Metal) 3/4" x 3/4"
Gasket	1	Urethane 1/4" x 3/4" (180 deg. F), Dovetail Joints
Gasket Location	2	Downstream
Sealant	0	High Loft Fiberglass Wrap (350 deg. F)
Hardware	3	Expanded Steel - Downstream Side
Acceptance Level	0	95% @ 0.3 Micron (Not Tested)
Separators	0	Aluminum Separators, Standard Capacity



**NOTES**

- Media: Micro-Glass Fiber / Acrylic Resin Binder
- Rated Velocity  
11-1/2" Depth - 500 FPM  
5-7/8" Depth - 250 FPM
- See Drawing MKT-B-00359 For Resistance Curves
- Recommended Final Resistance: 2.0" W.G. @ Rated Flow (Twice Initial Resistance)
- Class 1 Filter Per U.L Standard 900
- Maximum Operating Temperature: 180 Deg. F
- Standard Gasket Location Downstream, Construction Code 0EA 120 300
- Optional Gasket Locations (Do NOT Use Item Numbers Shown Above)  
-U: Upstream Sides (Ex. MDL-501-MH-U), Construction Code 0EA 110 300  
-UD: Both Sides (Ex. MDL-501-MH-UD), Construction Code 0EA 130 300  
No Gasket (Ex. MDL-501-MH, No Gasket), Construction Code 0EA 750 300

**AIRGUARD** ONE SOURCE FOR AIR FILTRATION PRODUCTS  
P.O. Box 32578  
Louisville, KY 40232  
P: 502-969-2304  
F: 502-969-2759

**CONTACT FACTORY TO VERIFY REVISION LEVEL**

**TOLERANCES UNLESS OTHERWISE SPECIFIED**

FRACTIONAL	-
DECIMAL	-
ANGLES	-

ALL DIMENSIONS IN INCHES

**DRAWING NAME** MICROGUARD 95  
**MH-STYLE, SINGLE HEADER, 95% DOP**

APPROVED BY <i>K. O...</i>	SPECIFICATION NO. MKT-B-00358	PAGE 1 OF 1
SCALE NONE	DWG. SIZE A	REVISION A
		REVISION DATE 12-09-04

CONFIDENTIAL - DO NOT COPY. THIS MATERIAL IS TRADE SECRET AND PROPRIETARY BEING EXCLUSIVELY OWNED BY AIRGUARD. THE EXPRESSION OF THE INFORMATION CONTAINED HEREIN IS PROTECTED UNDER FEDERAL COPYRIGHT LAWS AND ALL COPYING IS PROHIBITED AND MAY BE SUBJECT TO CRIMINAL PENALTIES.