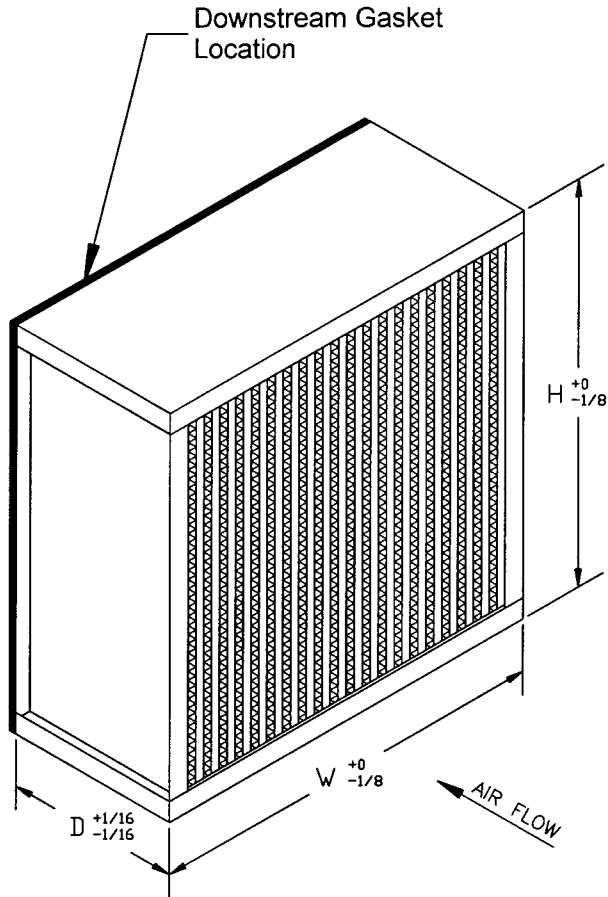
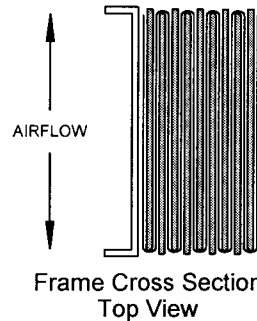


Item Number	Model Number	Construction Code	Actual Size (Inches) H x W x D	Rated Air Flow (CFM)	Initial Resistance (In. W.G.)	Efficiency	Media Area (Square Feet)
2970315	MC2000-501	H2424B00-0AG 000 00F	24 x 24 x 11-1/2	2000	1.35	99.97% @ 0.3 Micron	286
2970754	MC2000-501A	H2323B33-0AG 000 00F	23-3/8 x 23-3/8 x 11-1/2	1890	1.35	99.97% @ 0.3 Micron	271
2971408	MC2000-500	H1224B00-0AG 000 00F	12 x 24 x 11-1/2	1000	1.35	99.97% @ 0.3 Micron	133
2973408	MC2000-500A	H1123B33-0AG 000 00F	11-3/8 x 23-3/8 x 11-1/2	924	1.35	99.97% @ 0.3 Micron	122
2971988	MC2000-500R	H2412B00-0AG 000 00F	24 x 12 x 11-1/2	1000	1.35	99.97% @ 0.3 Micron	133
2971544	MC2000-500AR	H2311B33-0AG 000 00F	23-3/8 x 11-3/8 x 11-1/2	924	1.35	99.97% @ 0.3 Micron	122
2970102	MC2000-502	H2430B00-0AG 000 00F	24 x 30 x 11-1/2	2750	1.35	99.97% @ 0.3 Micron	362
	MC2000-502R	H3024B00-0AG 000 00F	30 x 24 x 11-1/2	2750	1.35	99.97% @ 0.3 Micron	362
2972861	MC2000-241	H2424A00-0AG 000 00F	24 x 24 x 5-7/8	1000	1.35	99.97% @ 0.3 Micron	149
	MC2000-241A	H2323A33-0AG 000 00F	23-3/8 x 23-3/8 x 5-7/8	950	1.35	99.97% @ 0.3 Micron	142
2974237	MC2000-1202	H1224A00-0AG 000 00F	12 x 24 x 5-7/8	500	1.35	99.97% @ 0.3 Micron	70
	MC2000-1202A	H1123A33-0AG 000 00F	11-3/8 x 23-3/8 x 5-7/8	462	1.35	99.97% @ 0.3 Micron	64
2974168	MC2000-1202R	H2412A00-0AG 000 00F	24 x 12 x 5-7/8	500	1.35	99.97% @ 0.3 Micron	70
	MC2000-1202AR	H2311A33-0AG 000 00F	23-3/8 x 11-3/8 x 5-7/8	462	1.35	99.97% @ 0.3 Micron	64




Construction	Code	Description
Standard and Certification	0	HEPA-IEST-RP-CC001.3, Type A per MIL-STD 282
Frame Material	A	16 GA Corrosion Resistant Steel
Frame Style	G	Metal C-Style
Gasket	0	SCE 43 Neoprene 1/4" x 3/4" (180 deg. F), Dovetail Joints
Gasket Location	0	Downstream
Sealant	0	Urethane (180 deg. F)
Hardware	0	None
Acceptance Level	0	99.97% on 0.3 Micron Overall (Q-107 Tested)
Separators	F	Aluminum Separators, High Capacity



NOTES

- Media: Micro-Glass Fiber / Acrylic Resin Binder
- Rated Velocity
11-1/2" Depth - 500 FPM
5-7/8" Depth - 250 FPM
- See Drawings MKT-B-00362 & MKT-B-00363 For Resistance Curves
- Recommended Final Resistance: 2.7" W.G. @ Rated Flow (Twice Initial Resistance)
- Class 1 Filter Per U.L Standard 900
- Maximum Operating Temperature: 180 Deg. F
- Standard Gasket Location Downstream, Construction Code 0AG 000 00F
- Optional Gasket Locations (Do NOT Use Item Numbers Shown Above)
-U: Upstream Sides (Ex. MC2000-501-U), Construction Code 0AG 110 00F
-UD: Both Sides (Ex. MC2000-501-UD), Construction Code 0AG 130 00F
No Gasket (Ex. MC2000-501, No Gasket), Construction Code 0AG 750 00F

 ONE SOURCE FOR AIR FILTRATION PRODUCTS	P.O. Box 32578 Louisville, KY 40232 P: 502-969-2304 F: 502-969-2759	TOLERANCES UNLESS OTHERWISE SPECIFIED		DRAWING NAME MICROGUARD 2000 (C STYLE BOX - 99.97%)			
		FRACTIONAL - DECIMAL - ANGLES -	APPROVED BY <i>K. Quinn</i>		SPECIFICATION NO. MKT-B-00361	PAGE 1 OF 1	
CONTACT FACTORY TO VERIFY REVISION LEVEL		ALL DIMENSIONS IN INCHES		SCALE NONE	DWG. SIZE A	REVISION NEW	REVISION DATE 10-09-02
		CONFIDENTIAL - DO NOT COPY. THIS MATERIAL IS TRADE SECRET AND PROPRIETARY BEING EXCLUSIVELY OWNED BY AIRGUARD. THE EXPRESSION OF THE INFORMATION CONTAINED HEREIN IS PROTECTED UNDER FEDERAL COPYRIGHT LAWS AND ALL COPYING IS PROHIBITED AND MAY BE SUBJECT TO CRIMINAL PENALTIES.					