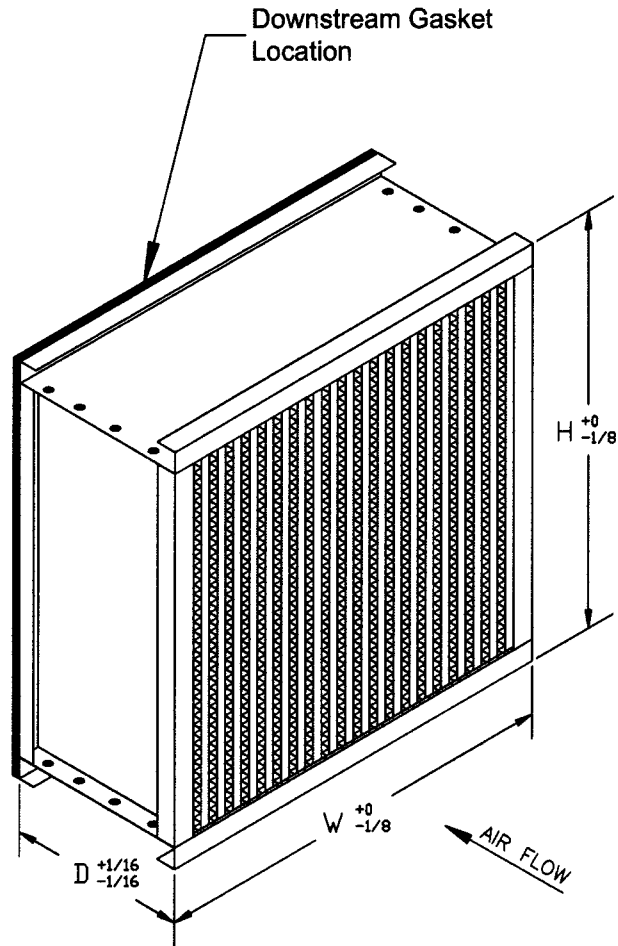
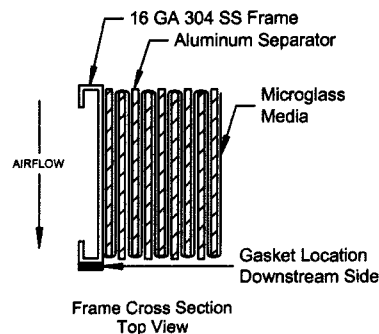


Item Number	Model Number	Construction Code	Actual Size (Inches) H x W x D	Rated Air Flow (CFM)	Initial Resistance (In. W.G.)	Efficiency	Media Area (Square Feet)
2977695	MC2000-501-HT500	H2424B00-0JB B29 00F	24 x 24 x 11-1/2	2000	1.35	99.97% @ 0.3 Micron	301
	MC2000-500-HT500	H1224B00-0JB B29 00F	12 x 24 x 11-1/2	1000	1.35	99.97% @ 0.3 Micron	140
	MC2000-500R-HT500	H2412B00-0JB B29 00F	24 x 12 x 11-1/2	1000	1.35	99.97% @ 0.3 Micron	140
	MC2000-241-HT500	H2424A00-0JB B29 00F	24 x 24 x 5-7/8	1000	1.35	99.97% @ 0.3 Micron	158
	MC2000-1202-HT500	H1224A00-0JB B29 00F	12 x 24 x 5-7/8	250	1.35	99.97% @ 0.3 Micron	74
	MC2000-1212-HT500	H2412A00-0JB B29 00F	24 x 12 x 5-7/8	250	1.35	99.97% @ 0.3 Micron	74



Construction	Code	Description
Standard and Certification	0	HEPA-TEST-RP-CC001.3, Type A per MIL-STD 282
Frame Material	J	16 GA 304 Stainless Steel
Frame Style	B	Double Turned Flange
Gasket	B	HT Red Silicone 1/4" x 3/4" (500 deg. F), Dovetail Joints
Gasket Location	2	Downstream
Sealant	9	HT Red Silicone (500 deg. F)
Hardware	0	None
Acceptance Level	0	99.97% on 0.3 Micron Overall (Q-107 Tested)
Separators	F	Aluminum Separators, High Capacity



**NOTES**

- Media: Micro-Glass Fiber / Acrylic Resin Binder
- Rated Velocity  
11-1/2" Depth - 500 FPM  
5-7/8" Depth - 250 FPM
- See Drawings MKT-B-00362 & MKT-B-00363 For Resistance Curves
- Recommended Final Resistance: 2.7" W.G. @ Rated Flow (Twice Initial Resistance)
- Class 1 Filter Per U.L Standard 900
- Maximum Operating Temperature: 500 Deg. F
- Standard Gasket Location Downstream, Construction Code 0JB B20 000
- Optional Gasket Locations (Do NOT Use Item Numbers Shown Above)  
-U: Upstream Sides (Ex. MC2000-501-HT500-U), Construction Code 0JB B19 00F  
-UD: Both Sides (Ex. MC2000-501-HT50-UD), Construction Code 0JB B39 00F  
No Gasket (Ex. MC2000-501-HT500, No Gasket), Construction Code 0JB 759 00F

**AIRGUARD** ONE SOURCE FOR AIR FILTRATION PRODUCTS  
 P.O. Box 32578  
 Louisville, KY 40232  
 P: 502-969-2304  
 F: 502-969-2759

**CONTACT FACTORY TO VERIFY REVISION LEVEL**

**TOLERANCES UNLESS OTHERWISE SPECIFIED**

FRACTIONAL	-
DECIMAL	-
ANGLES	-

ALL DIMENSIONS IN INCHES

**DRAWING NAME** MICROGUARD 2000 HIGH TEMPERATURE - 500 DEG F

APPROVED BY <i>K. Quinn</i>	SPECIFICATION NO. MKT-B-00413	PAGE 1 OF 1
SCALE NONE	DWG. SIZE A	REVISION NEW
		REVISION DATE 10-14-03

CONFIDENTIAL - DO NOT COPY. THIS MATERIAL IS TRADE SECRET AND PROPRIETARY BEING EXCLUSIVELY OWNED BY AIRGUARD. THE EXPRESSION OF THE INFORMATION CONTAINED HEREIN IS PROTECTED UNDER FEDERAL COPYRIGHT LAWS AND ALL COPYING IS PROHIBITED AND MAY BE SUBJECT TO CRIMINAL PENALTIES.