


Item Number	Construction Code	Actual Size (Inches) H x W x D	Rated Air Flow (CFM)	Initial Resistance (In. W.G.)	Efficiency	Media Area (FT ²)
GEL SEAL MICRO-V 2000						
2975492	H2424B00-0NV F20 00B	24 x 24 x 11-1/2	2000	1.20	99.97% @ 0.3 Micron	300
2975544	H2412B00-0NV F20 00B	24 x 12 x 11-1/2	1000	1.20	99.97% @ 0.3 Micron	127
2995576	H2424B00-0NV F20 02B	24 x 24 x 11-1/2	2000	1.20	99.99% @ 0.3 Micron	300
2995577	H2412B00-0NV F20 02B	24 x 12 x 11-1/2	1000	1.20	99.99% @ 0.3 Micron	127
2596031	H2424B00-0NV F20 04B	24 x 24 x 11-1/2	1600	1.20	99.999% @ 0.3 Micron	300
2596030	H2412B00-0NV F20 04B	24 x 12 x 11-1/2	800	1.20	99.999% @ 0.3 Micron	127
GASKET SEAL MICRO-V 2000						
2975683	H2424B00-0NV 000 00B	24 x 24 x 11-1/2	2000	1.20	99.97% @ 0.3 Micron	300
2975694	H2412B00-0NV 000 00B	24 x 12 x 11-1/2	1000	1.20	99.97% @ 0.3 Micron	127
2995902	H2424B00-0NV 000 02B	24 x 24 x 11-1/2	2000	1.20	99.99% @ 0.3 Micron	300
2995903	H2412B00-0NV 000 02B	24 x 12 x 11-1/2	1000	1.20	99.99% @ 0.3 Micron	127
2597345	H2424B00-0NV 000 04B	24 x 24 x 11-1/2	1600	1.20	99.999% @ 0.3 Micron	300
2597346	H2424B00-0NV 000 04B	24 x 12 x 11-1/2	800	1.20	99.999% @ 0.3 Micron	127

STANDARD CONSTRUCTION

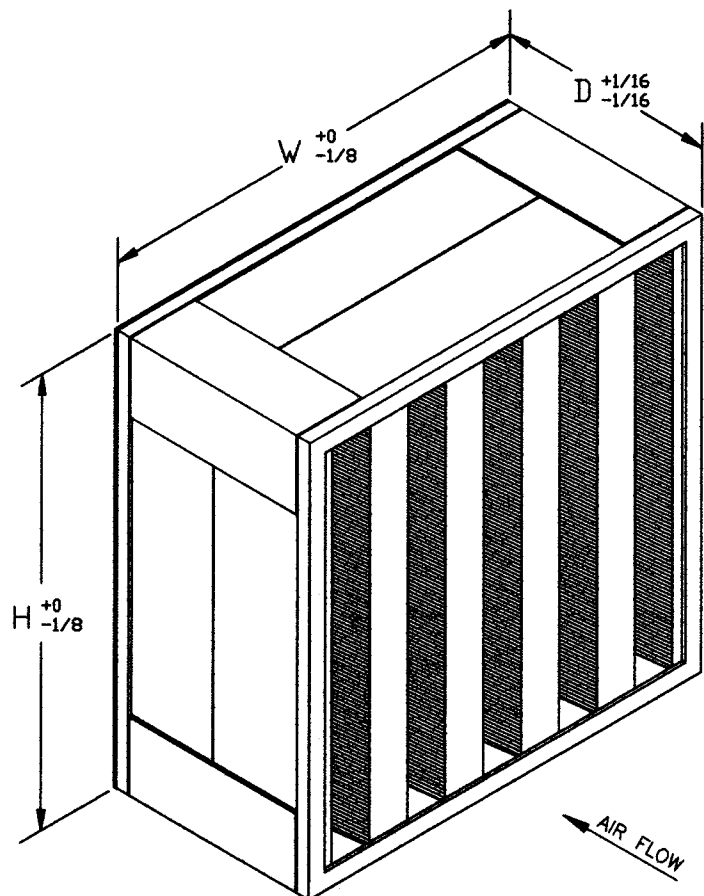
1. Anodized Extruded Aluminum Frame
2. HEPA Microglass Paper Mini-Pleat Packs
3. Urethane Sealant
4. Gasket or Gel Seal on Air Leaving Side
(See Description for Seal Type)

NOTES

1. Rated Velocity: 500 FPM - 99.97% & 99.99%
Rated Velocity: 400 FPM - 99.999%
2. Class 2 Filter Per U.L Standard 900
3. Maximum Operating Temperature: 160 Deg. F

 <p>ONE SOURCE FOR AIR FILTRATION PRODUCTS</p>	<p>P.O. Box 32578 Louisville, KY 40232 P: 502-969-2304 F: 502-969-2759</p>	<p>TOLERANCES UNLESS OTHERWISE SPECIFIED</p>				<p>DRAWING NAME MICRO-V 2000 HIGH CAPACITY HEPA</p>
		<p>FRACTIONAL DECIMAL ANGLES</p>	<p>APPROVED BY <i>K.C. Quinn</i></p>	<p>SPECIFICATION NO. MKT-B-00315</p>	<p>PAGE 1 OF 1</p>	
<p>CONTACT FACTORY TO VERIFY REVISION LEVEL</p>		<p>SCALE NONE</p>		<p>DWG. SIZE A</p>	<p>REVISION A</p>	<p>REVISION DATE 04-30-03</p>
<p>ALL DIMENSIONS IN INCHES</p>		<p>CONFIDENTIAL - DO NOT COPY. THIS MATERIAL IS TRADE SECRET AND PROPRIETARY BEING EXCLUSIVELY OWNED BY AIRGUARD. THE EXPRESSION OF THE INFORMATION CONTAINED HEREIN IS PROTECTED UNDER FEDERAL COPYRIGHT LAWS AND ALL COPYING IS PROHIBITED AND MAY BE SUBJECT TO CRIMINAL PENALTIES.</p>				

Item Number	Construction Code	Actual Size (Inches) H x W x D	Rated Air Flow (CFM)	Initial Resistance (In. W.G.)	Efficiency	Media Area (Square Feet)
2978335	H2424B00-0NV 000 00B	24 x 24 x 11-1/2	2400	1.36	99.97% @ 0.3 Micron	310



Construction	Code	Description
Standard and Certification	0	HEPA-TEST-RP-CC001.3, Type A per MIL-STD 282
Frame Material	N	Anodized Extruded Aluminum
Frame Style	V	V-Bank Style (Micro V)
Gasket	0	SCE 43 Neoprene 1/4" x 3/4" (180 deg. F), Dovetail Joints
Gasket Location	0	Downstream
Sealant	0	Urethane (180 deg. F)
Hardware	0	None
Acceptance Level	0	99.97% on 0.3 Micron Overall (Q-107 Tested) IEST Type A
Separators	B	Special With Bead Pack

NOTES

1. Media: Micro-Glass Fiber / Acrylic Resin Binder
2. Rated Velocity: 600 FPM 99.97% And 99.99% @ 0.3 Micron
3. See Drawings MKT-B-00354 & MKT-B-00355 For Resistance Curves
4. Recommended Final Resistance: 2.70" W.G. @ Rated Flow (Twice Initial Resistance)
5. Class 2 Filter Per U.L Standard 900
6. Maximum Operating Temperature: 160 Deg. F
7. Standard Gasket Location Downstream, Construction Code 000 000 000
8. Optional Gasket Locations (Do NOT Use Item Numbers Shown Above)
 - U: Upstream Side, Construction Code 0NV 110 00B
 - UD: Both Sides, Construction Code 0NV 130 00V
 - No Gasket, Construction Code 0NV 750 00B

ONE SOURCE FOR AIR FILTRATION PRODUCTS P.O. Box 32578 Louisville, KY 40232 P: 502-969-2304 F: 502-969-2759	TOLERANCES UNLESS OTHERWISE SPECIFIED	DRAWING NAME MICRO-V 2400 HIGH CAPACITY HEPA			
	FRACTIONAL DECIMAL ANGLES	APPROVED BY <i>K. Quinn</i>	SPECIFICATION NO. MKT-B-00271	PAGE 1 OF 1	
CONTACT FACTORY TO VERIFY REVISION LEVEL	ALL DIMENSIONS IN INCHES	SCALE NONE	DWG. SIZE A	REVISION B	REVISION DATE 02-06-04
CONFIDENTIAL - DO NOT COPY. THIS MATERIAL IS TRADE SECRET AND PROPRIETARY BEING EXCLUSIVELY OWNED BY AIRGUARD. THE EXPRESSION OF THE INFORMATION CONTAINED HEREIN IS PROTECTED UNDER FEDERAL COPYRIGHT LAWS AND ALL COPYING IS PROHIBITED AND MAY BE SUBJECT TO CRIMINAL PENALTIES.					