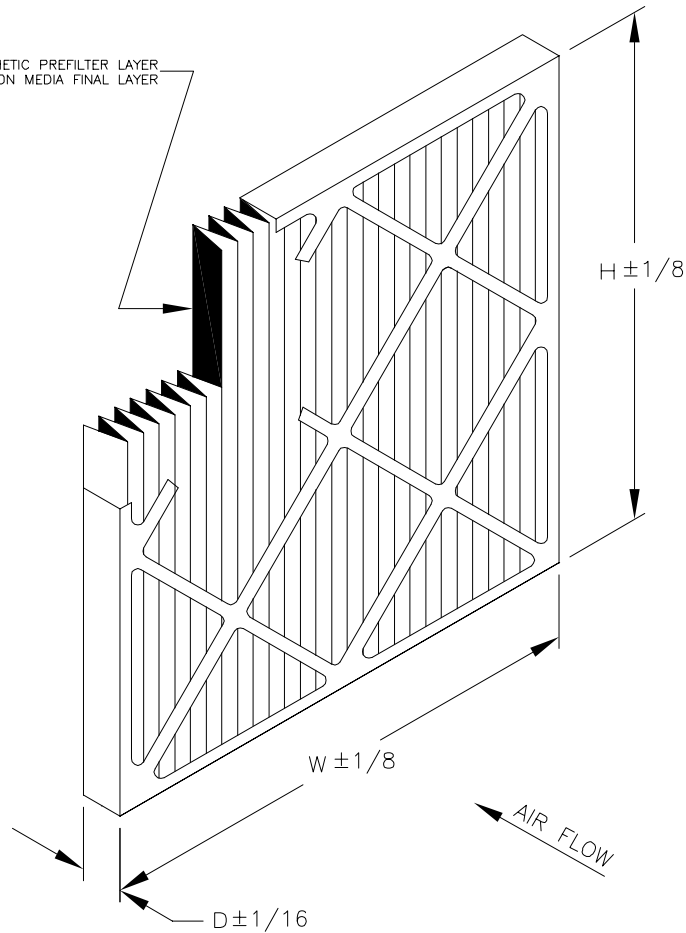


100% SYNTHETIC PREFILTER LAYER
SELF-SUPPORTED CARBON MEDIA FINAL LAYER



Model Number	Nominal Size (Inches) W x H x D	Actual Size (Inches) W x H x D	Rated Air Flow (CFM)	Initial Resistance (IN W.G.)	Media Area (Square Feet)
FAS-210	12 x 24 x 2	11-3/8 x 23-3/8 x 1-3/4	1000	.52	7.7
FAS-239	14 x 20 x 2	13-1/2 x 19-1/2 x 1-3/4	980	.52	7.7
FAS-241	14 x 25 x 2	13-1/2 x 24-1/2 x 1-3/4	1220	.52	9.6
FAS-245	15 x 20 x 2	14-1/2 x 19-1/2 x 1-3/4	1050	.52	8.3
FAS-201	16 x 20 x 2	15-1/2 x 19-1/2 x 1-3/4	1120	.52	8.8
FAS-202	16 x 25 x 2	15-1/2 x 24-1/2 x 1-3/4	1400	.52	11.0
FAS-280	18 x 20 x 2	17-1/2 x 19-1/2 x 1-3/4	1250	.52	9.5
FAS-285	18 x 25 x 2	17-1/2 x 24-1/2 x 1-3/4	1400	.52	12.0
FAS-203	20 x 20 x 2	19-1/2 x 19-1/2 x 1-3/4	1400	.52	10.6
FAS-204	20 x 25 x 2	19-1/2 x 24-1/2 x 1-3/4	1750	.52	13.3
FAS-205	24 x 24 x 2	23-3/8 x 23-3/8 x 1-3/4	2000	.52	15.5
FAS-410	12 x 24 x 4	11-3/8 x 23-3/8 x 3-3/4	1000	.44	12.7
FAS-401	16 x 20 x 4	15-1/2 x 19-1/2 x 3-3/4	1120	.44	14.9
FAS-402	16 x 25 x 4	15-1/2 x 24-1/2 x 3-3/4	1400	.44	18.7
FAS-403	20 x 20 x 4	19-1/2 x 19-1/2 x 3-3/4	1400	.44	19.1
FAS-404	20 x 25 x 4	19-1/2 x 24-1/2 x 3-3/4	1750	.44	24.1
FAS-405	24 x 24 x 4	23-3/8 x 23-3/8 x 3-3/4	2000	.44	26.8

STANDARD CONSTRUCTION

- White, 100% Synthetic High Loft Media
Self Supporting Impregnated Carbon Media
60% Activity, 250 Grams / Square Meter Carbon Weight
- Pleat Count:
2" - 14.4 Pleats/Foot
4" - 10.8 Pleats/Foot
- Moisture Resistant Beverage Board Frame
- Double Wall Frame
- (2) Rows of Fingers on Air Entering Side (4" Only)

NOTES

- Average Efficiency: 30-35% ASHRAE 52.1-1992
MERV 8 ASHRAE 52.2-1992
- Final Resistance: 1.2" W.G.
- Rated Velocity: 2" & 4" - 500 FPM

AIRGUARD
P.O. Box 32578
Louisville, KY 40232
P: 866-247-4827
F: 502-961-0930
© www.airguard.com

**CONTACT FACTORY TO
VERIFY REVISION LEVEL**

**TOLERANCES
UNLESS OTHERWISE SPECIFIED**

FRACTIONAL -
DECIMAL -
ANGLES -

ALL DIMENSIONS IN INCHES

DRAWING NAME

FRESH AIR SUPREME CARBON PLEAT

APPROVED BY <i>K. Quinn</i>	SPECIFICATION NO. MKT-B-00429	PAGE 1 OF 1
SCALE NONE	DWG. SIZE A	REVISION B
		REVISION DATE 12-9-2008

CONFIDENTIAL - DO NOT COPY. THIS MATERIAL IS TRADE SECRET AND PROPRIETARY BEING EXCLUSIVELY OWNED BY CLC AIR. THE EXPRESSION OF THE INFORMATION CONTAINED HEREIN IS PROTECTED UNDER FEDERAL COPYRIGHT LAWS AND ALL COPYING IS PROHIBITED AND MAY BE SUBJECT TO CRIMINAL PENALTIES.